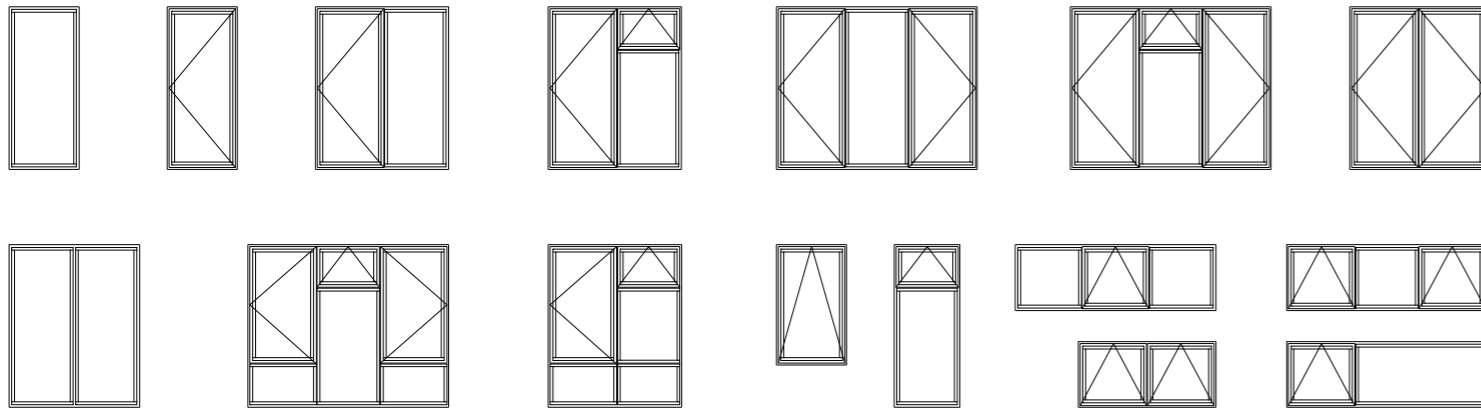
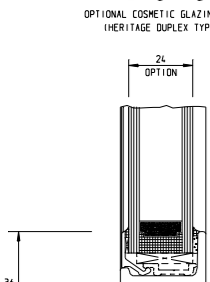
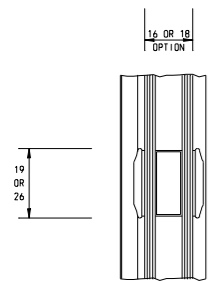
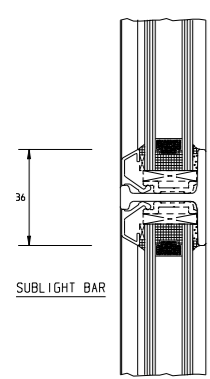
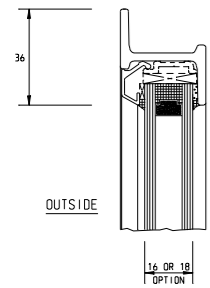


PRODUCT RANGE (VARIATIONS ARE POSSIBLE - CONSULT CRITTALL)

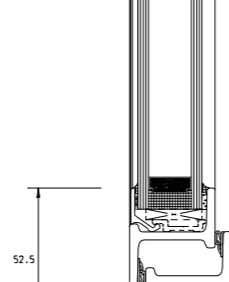
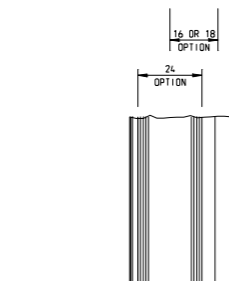
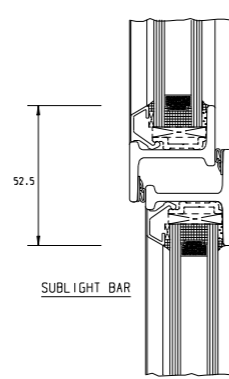
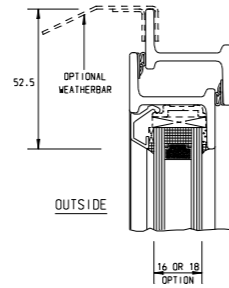


FIXED LIGHT



FIXED LIGHT

OPEN OUT VENT



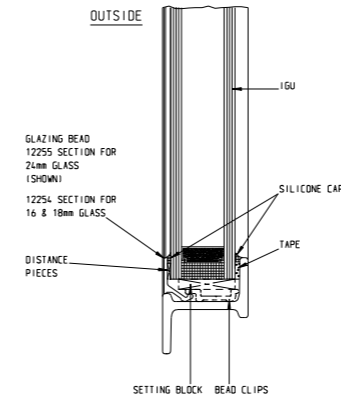
OPEN OUT VENT

SUBLIGHT BAR
(WELD-ON HINGE
ADJACENT) &
VERTICAL MEETING RAIL

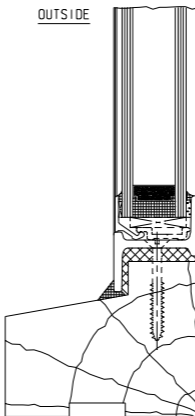
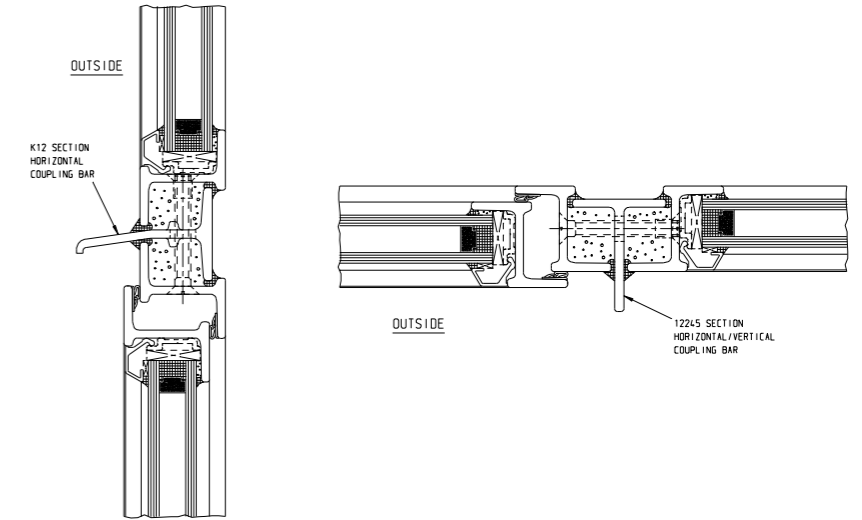
SUBLIGHT BAR
(WELD-ON HINGE) &
VERTICAL MEETING RAIL

JAMB DETAILS SIMILAR TO HEAD AND SILL

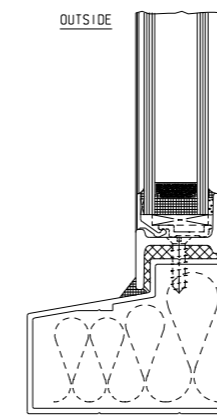
GLAZING DETAIL



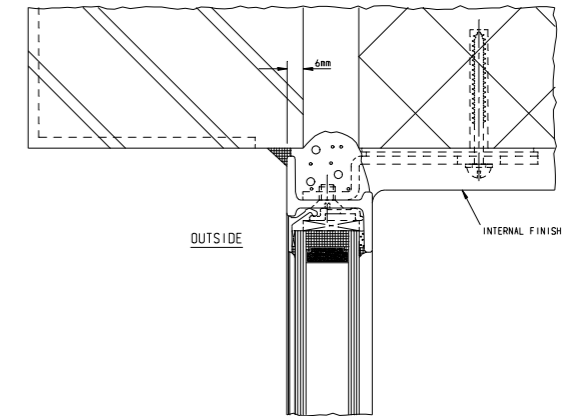
TYPICAL COUPLING DETAILS



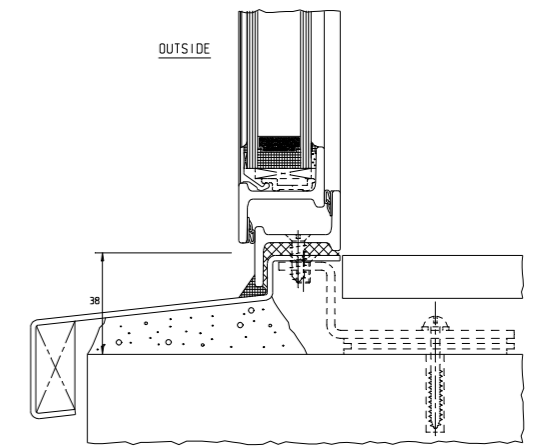
TYPICAL SURROUND DETAIL
(TIMBER SUB-FRAME)



TYPICAL SURROUND DETAIL
(CRITTALL REPLICIA POWDER COATED
EXTRUDED ALUMINIUM SUB-FRAMES)



TYPICAL SURROUND DETAIL
(BRICK)



TYPICAL SURROUND DETAIL
(STEEL SILL)

TYPICAL SURROUND DETAILS



CRITTALL® HOMELIGHT™ PLUS WINDOW FRAME PROFILES

CRITTALL® IS A REGISTERED TRADE MARK OF CRITTALL WINDOWS LIMITED
THE FOLLOWING DESIGN REGISTRATIONS APPLY TO THIS PRODUCT: COMMUNITY REGISTERED DESIGN NOS: 002337840-0001, 002337840-0002, 002337840-0003.

REF. HP 06/16