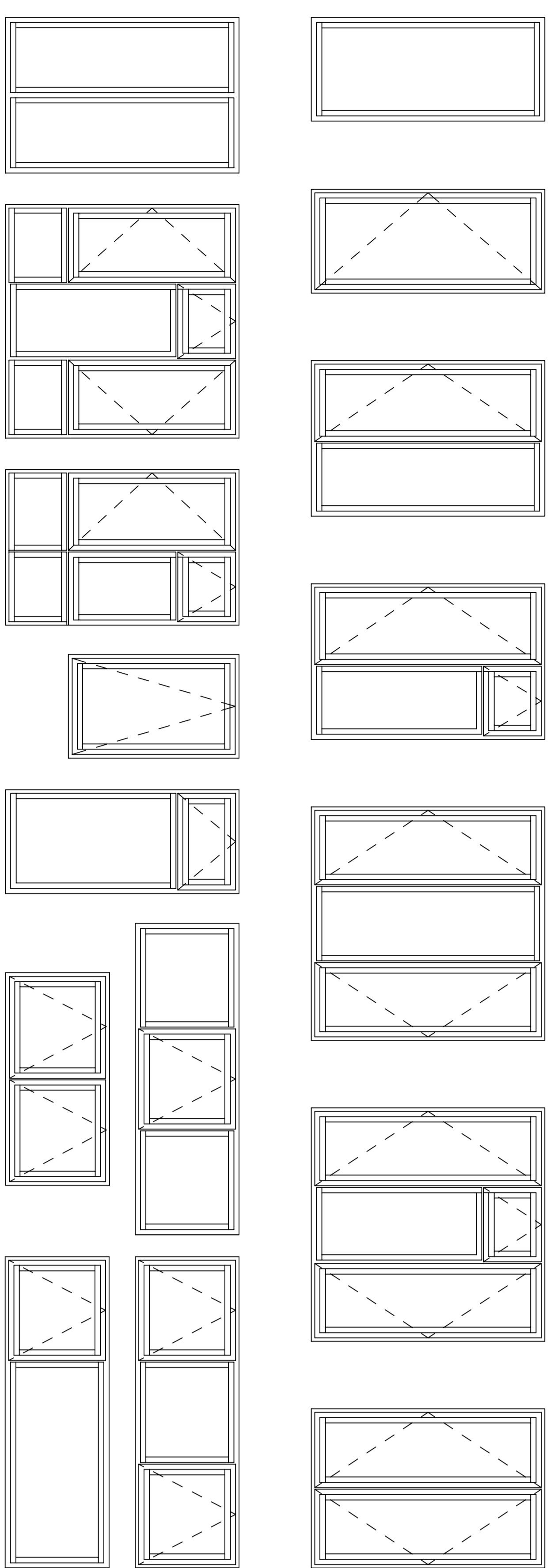
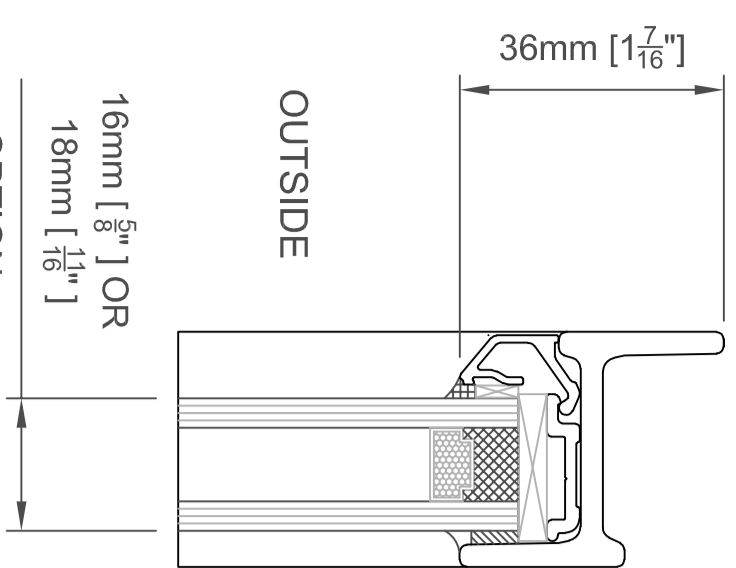


PRODUCT RANGE (VARIATIONS ARE POSSIBLE - CONSULT CRITTALL)

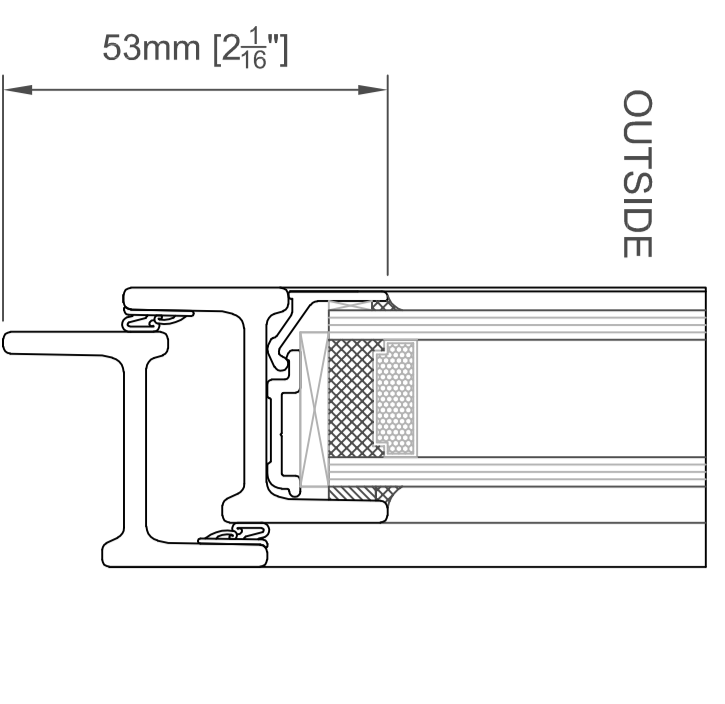
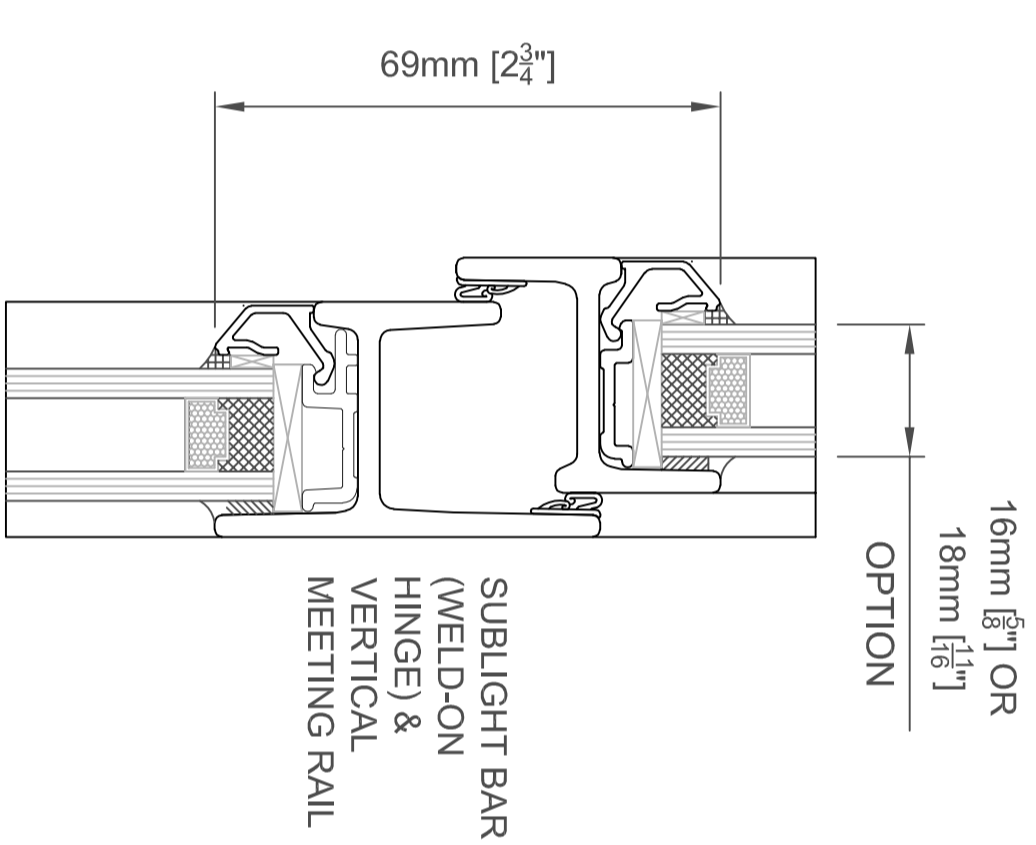
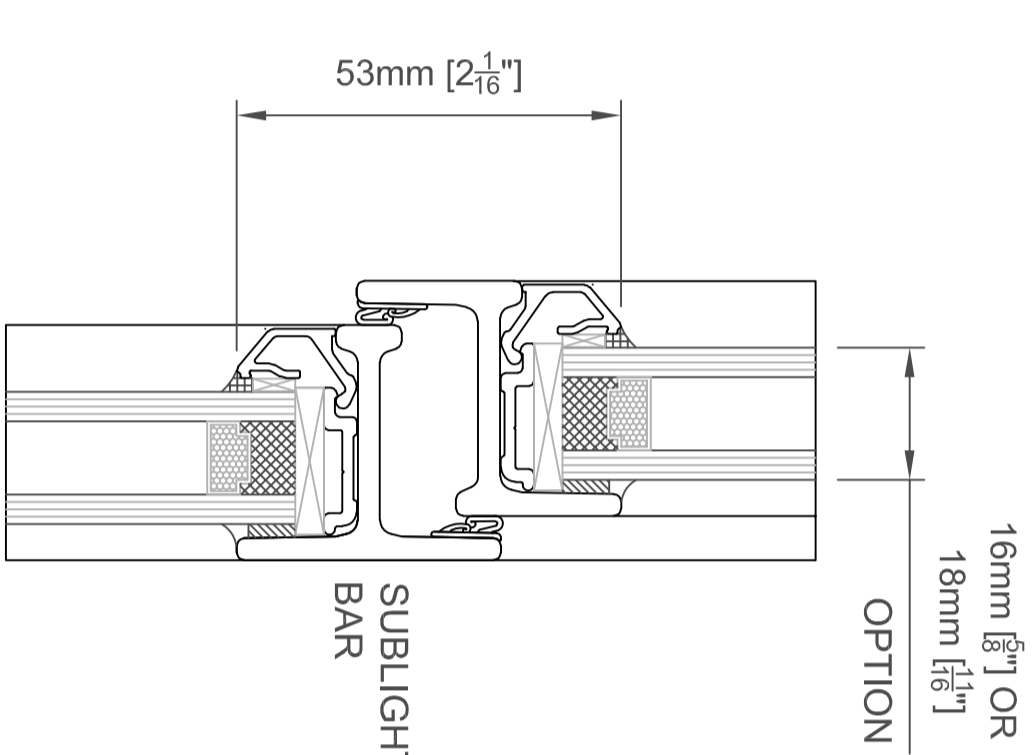
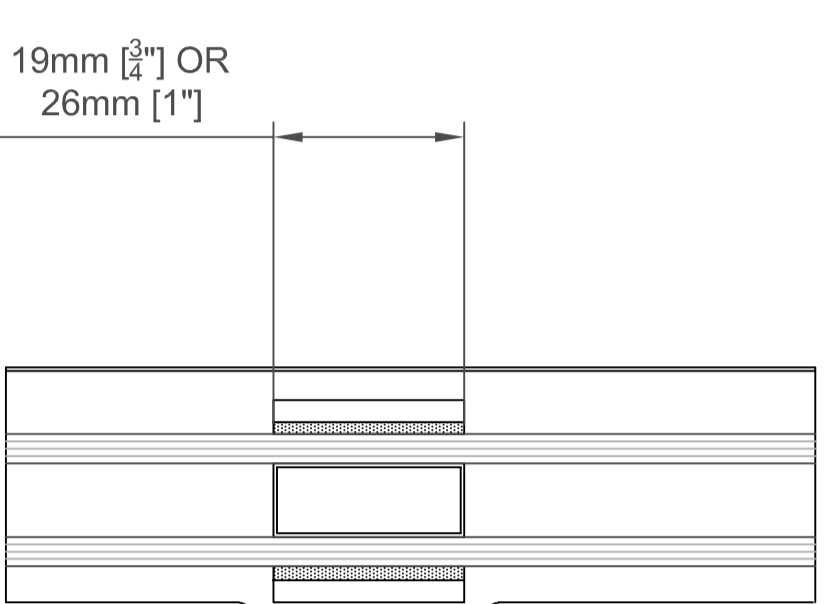
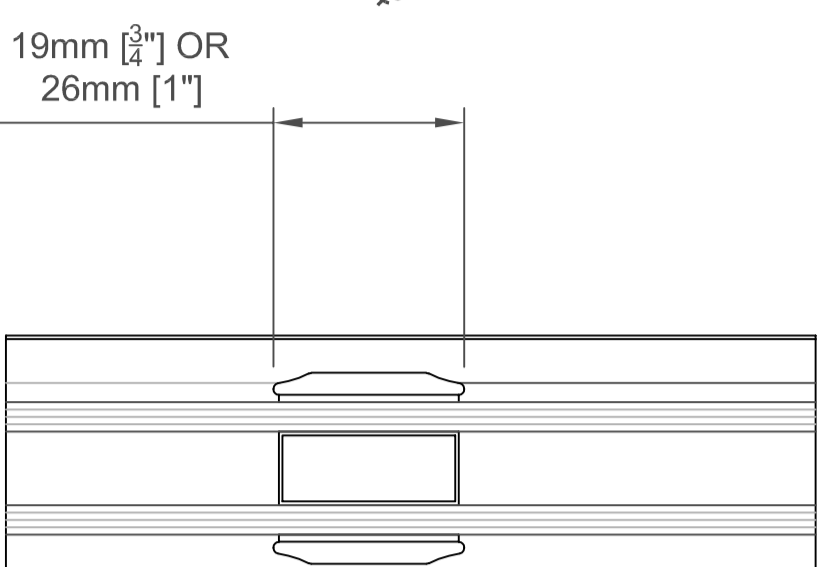
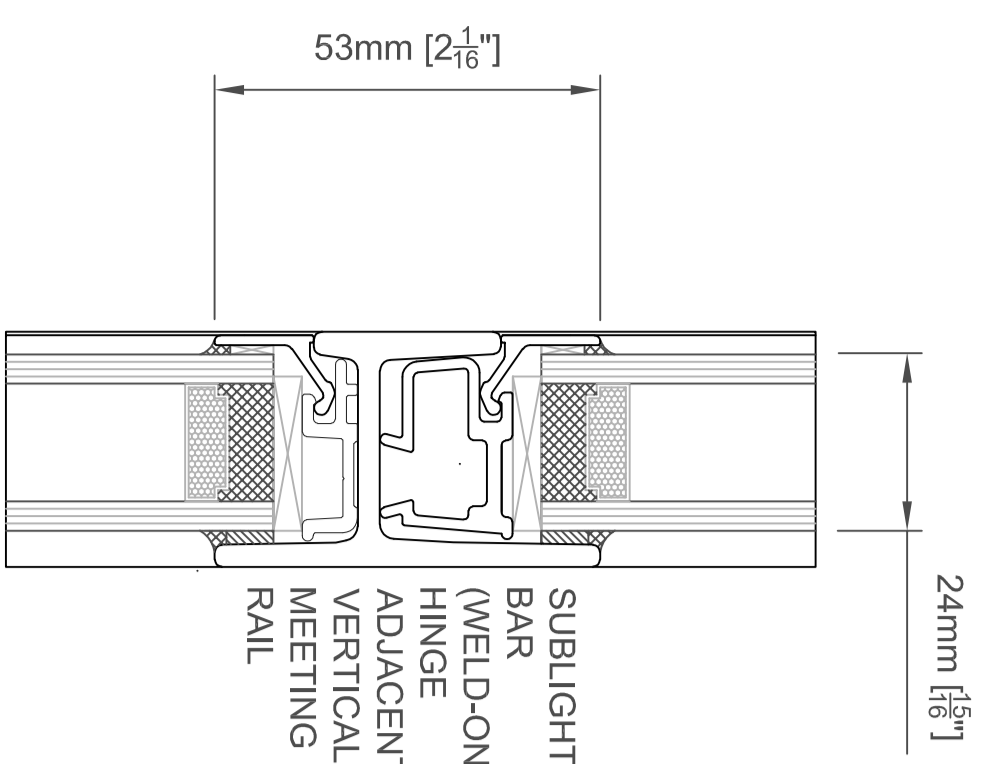
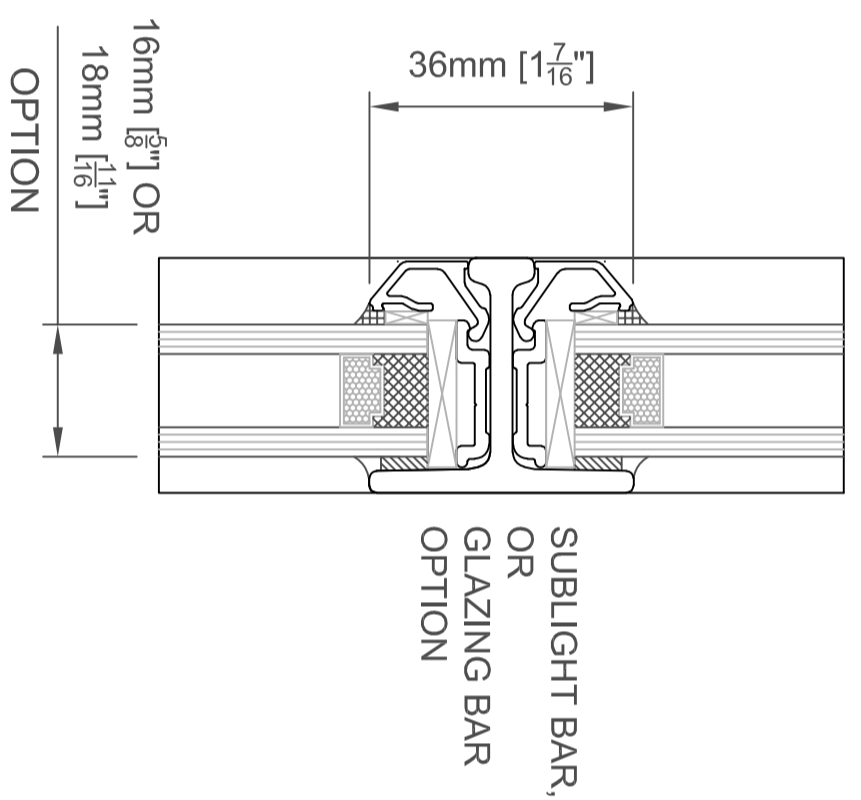
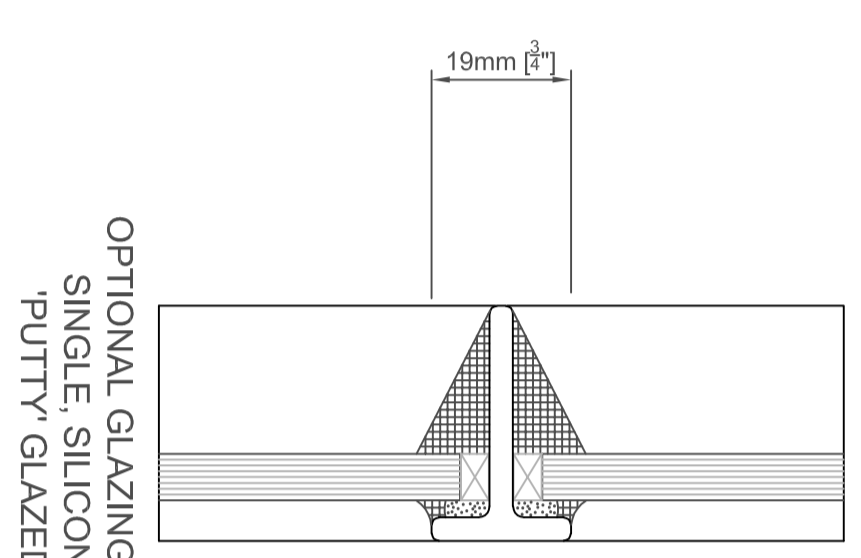
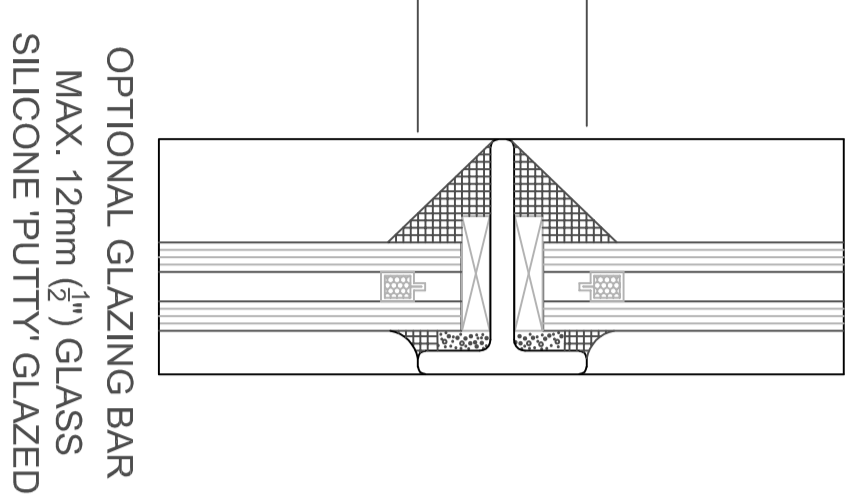
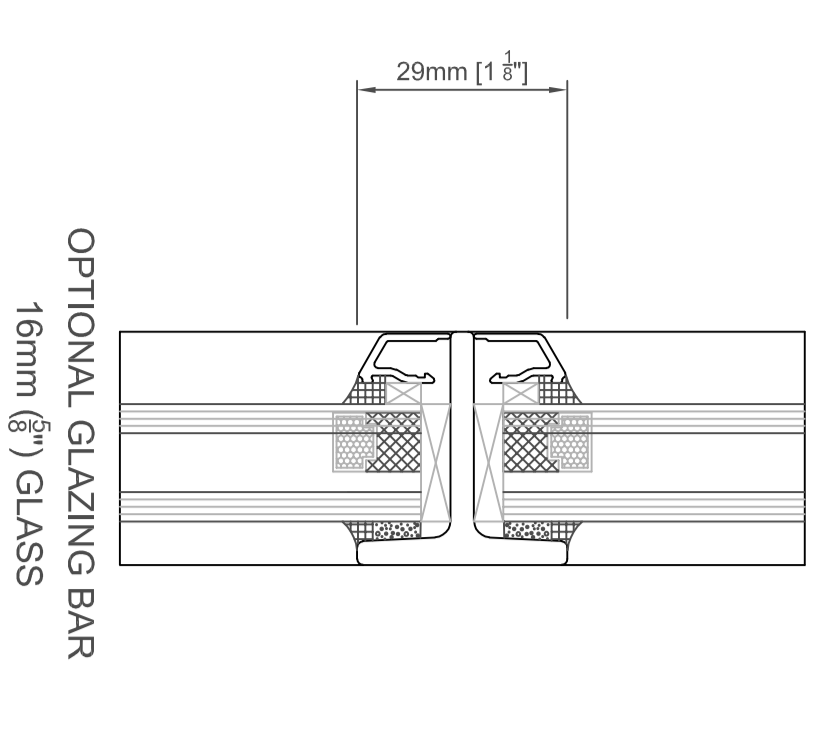
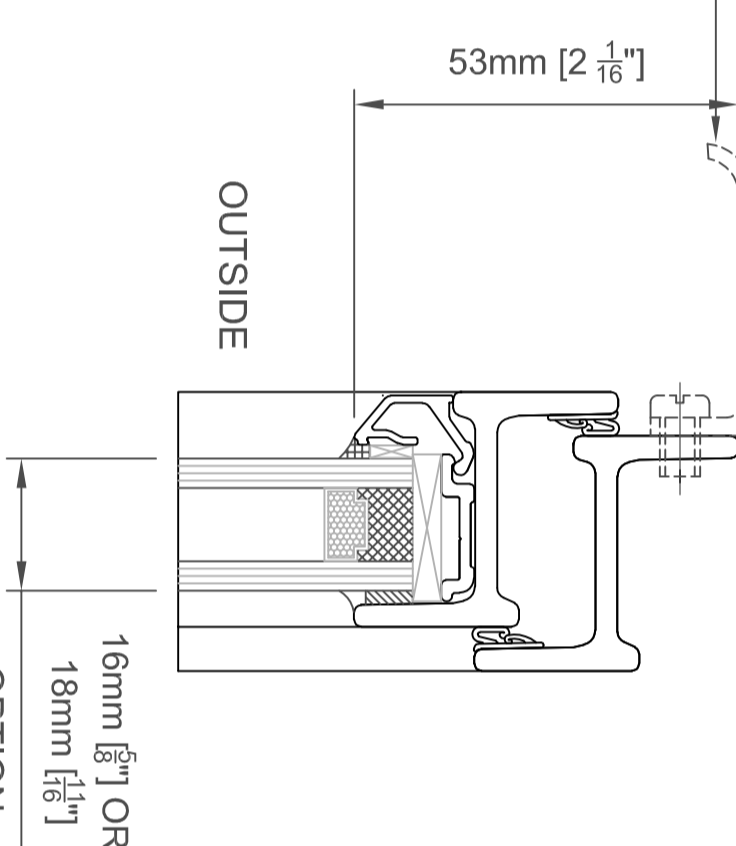


FIXED LIGHT

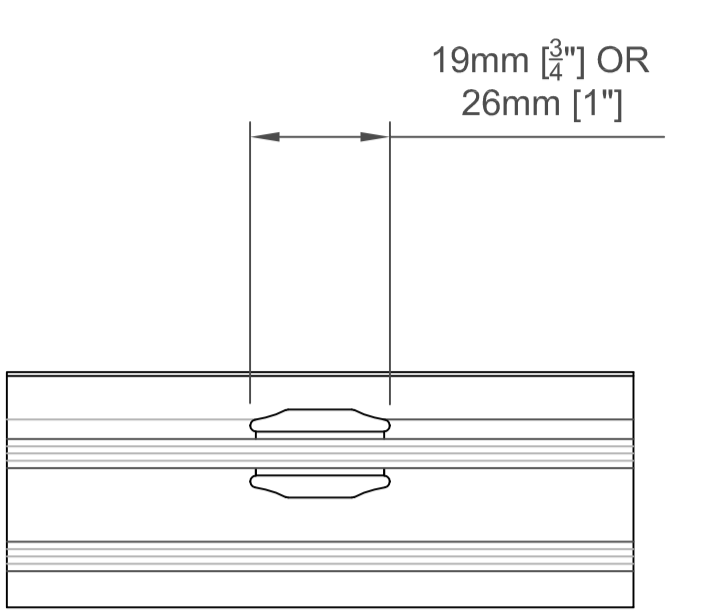


JAMB DETAILS ARE SIMILAR TO HEAD AND SILL

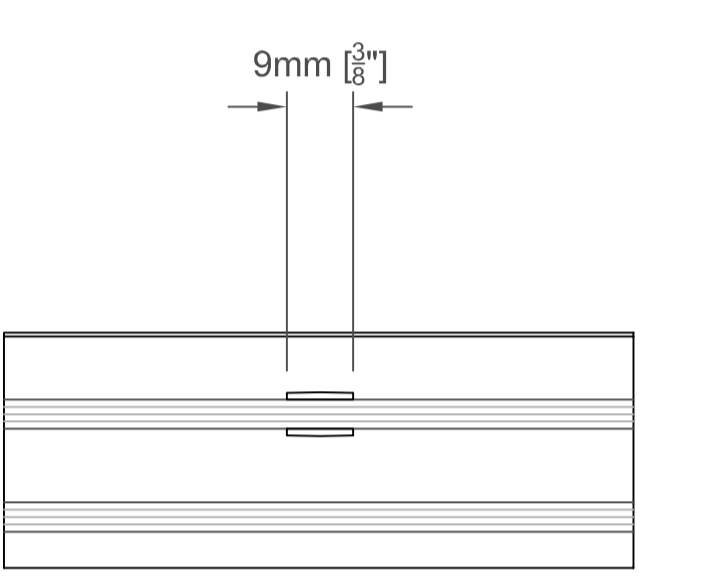
OPEN OUT VENT



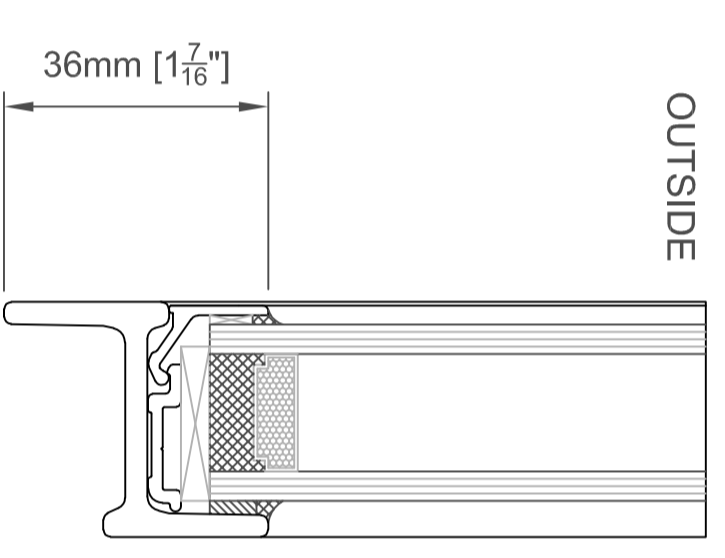
OPEN OUT VENT



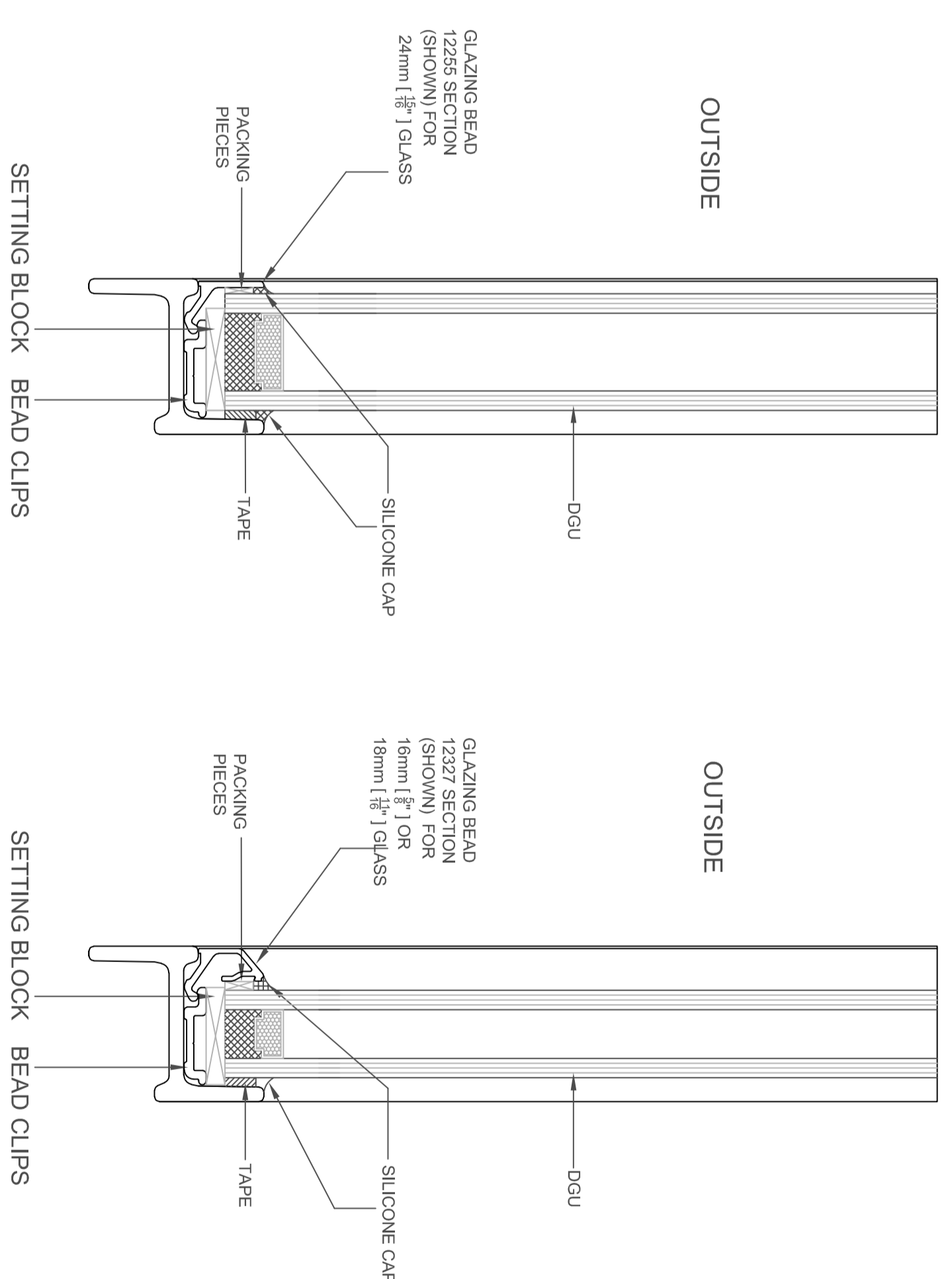
OPTIONAL COSMETIC GLAZING BAR (HERITAGE TYPE)



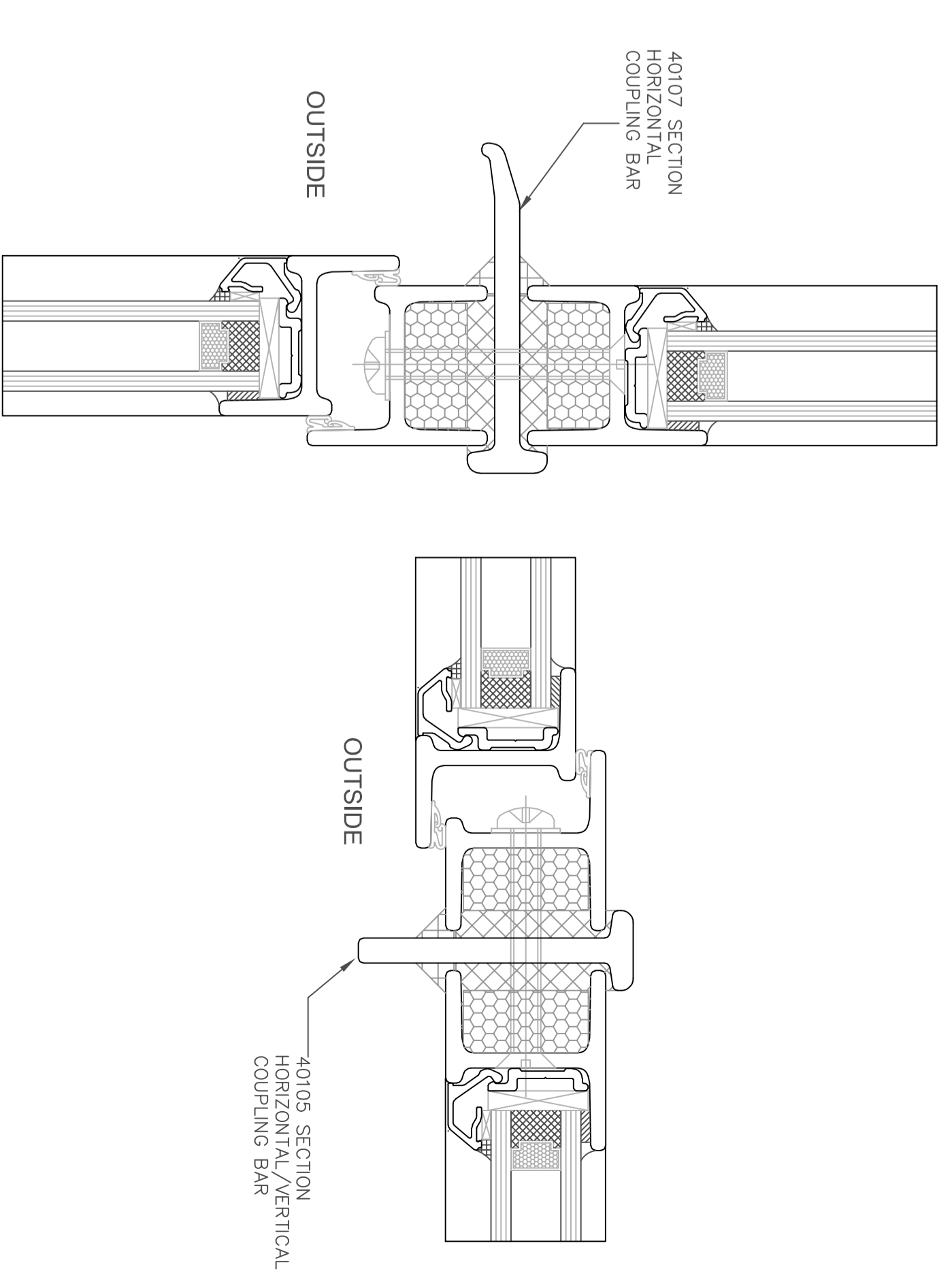
OPTIONAL COSMETIC LEAD LIGHTS (VARIOUS CONFIGURATIONS AVAILABLE)



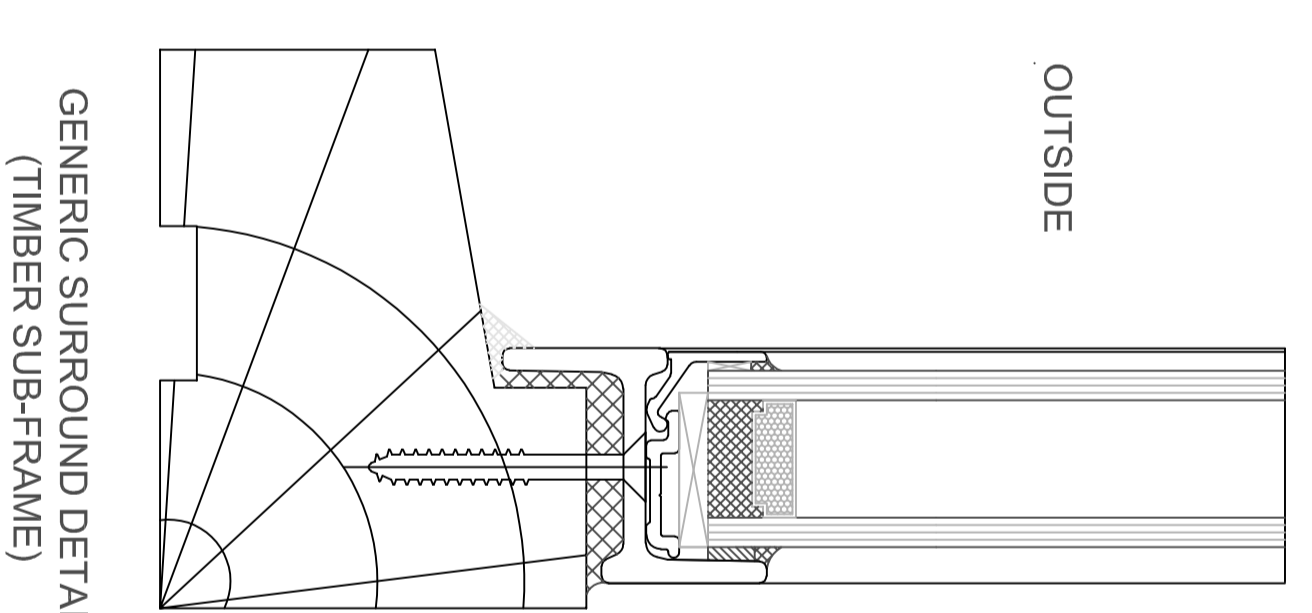
FIXED LIGHT



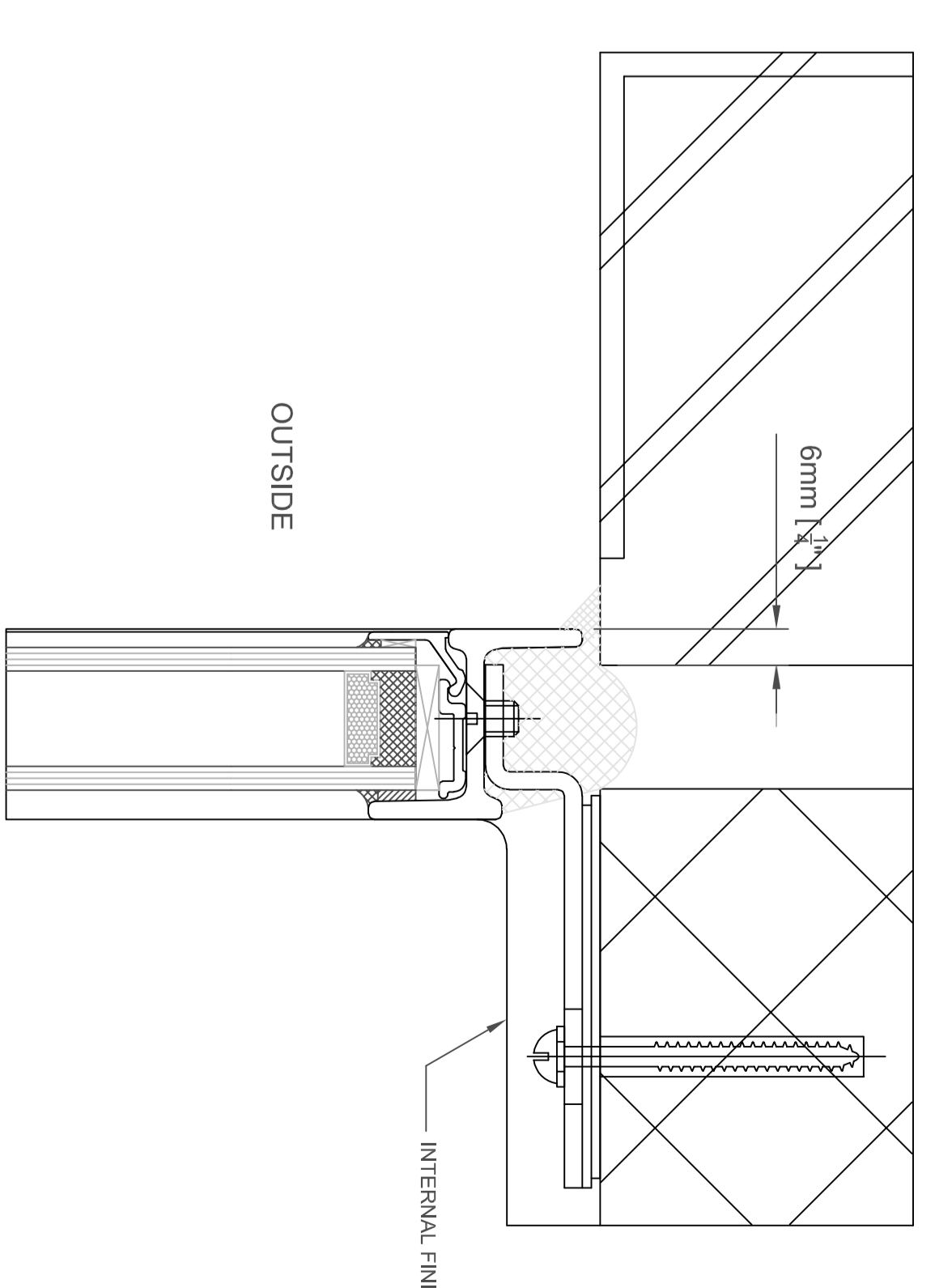
TYPICAL GLAZING DETAILS



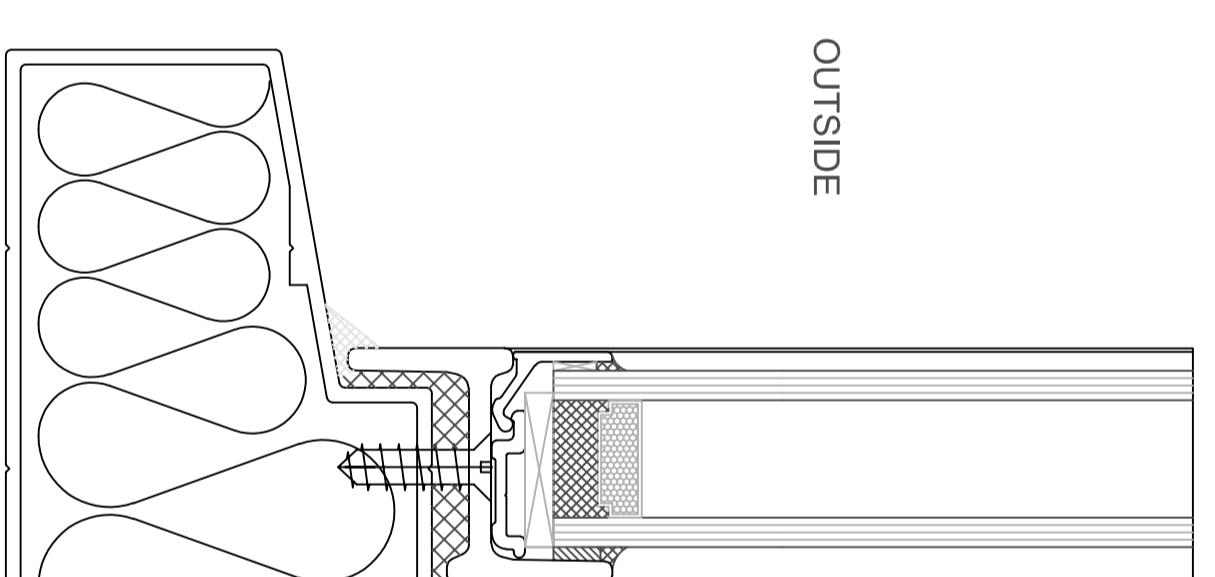
TYPICAL COUPLING DETAILS



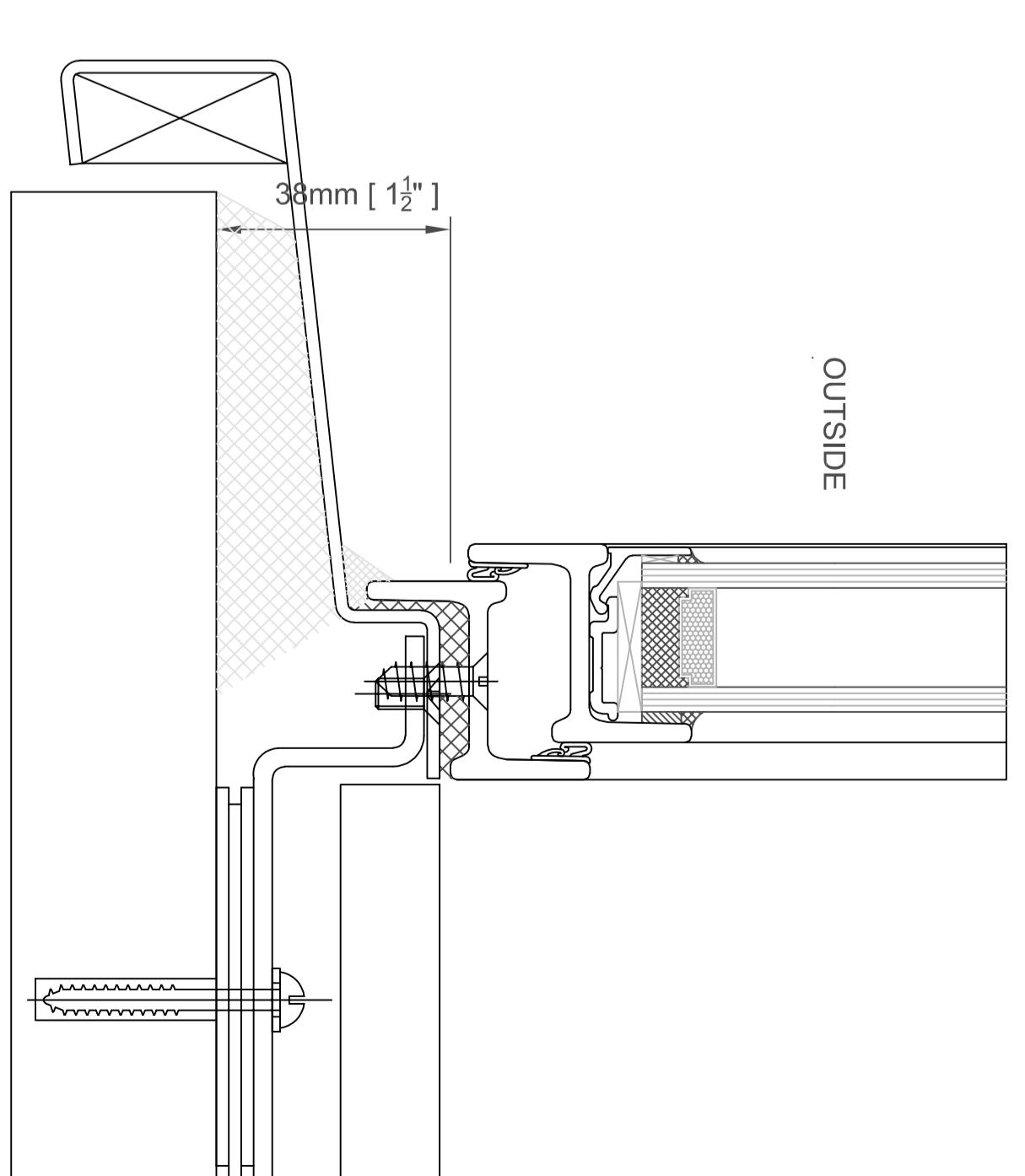
GENERIC SURROUND DETAIL (TIMBER SUB-FRAME)



GENERIC SURROUND DETAIL (BRICK)



GENERIC SURROUND DETAIL (TYPICAL CRITTALL REPLICA POWDER COATED EXTRUDED ALUMINIUM SUB-FRAME SHOWN)



GENERIC SURROUND DETAIL (STEEL SILL)

GENERIC SURROUND DETAILS



CRITTALL®

CRITTALL® IS A REGISTERED TRADE MARK OF CRITTALL WINDOWS LIMITED  
THE FOLLOWING DESIGN REGISTRATIONS APPLY TO THIS PRODUCT: COMMUNITY REGISTERED DESIGN NOS: 002337949-0001, 002337949-0002, 002337949-0003

HOMELIGHT PLUS™ WINDOW FRAME PROFILES

REF HP 01/21