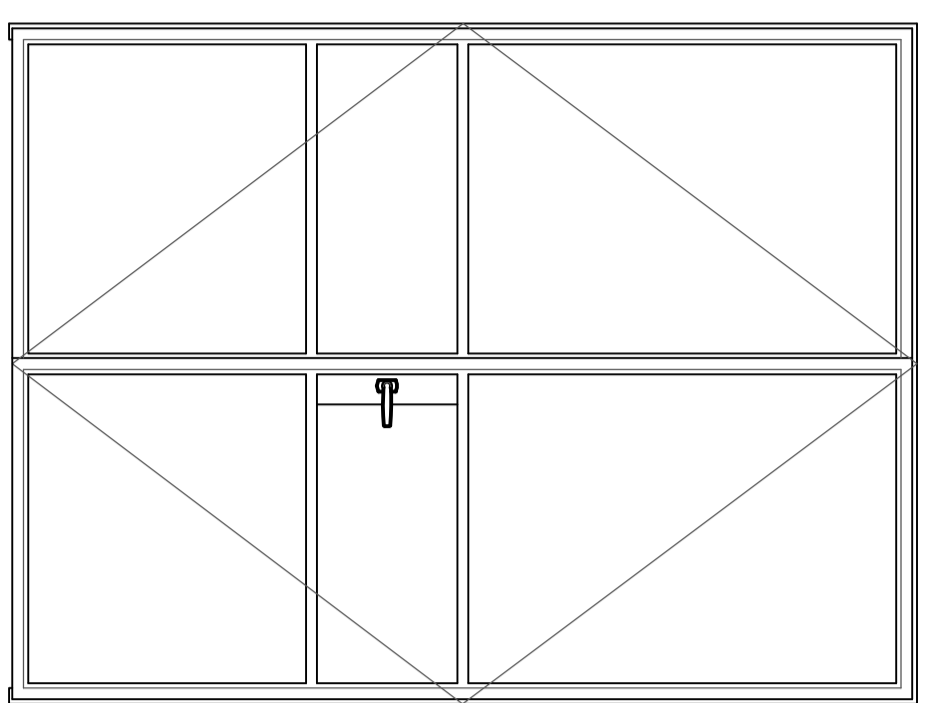
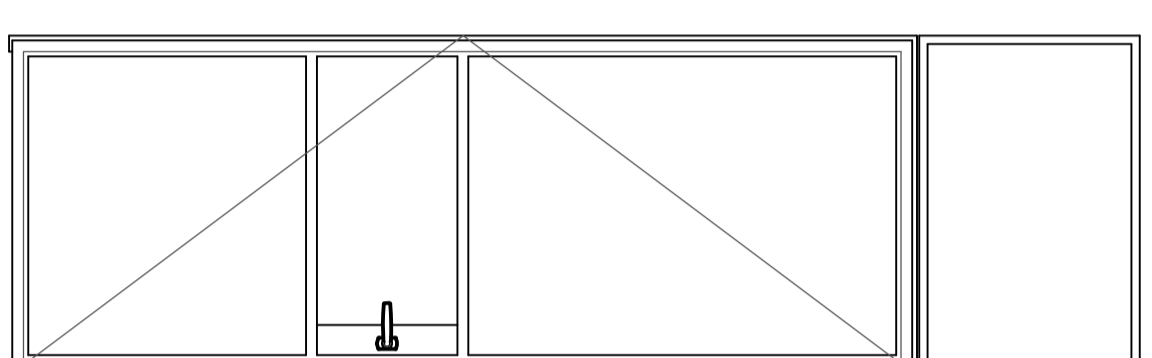


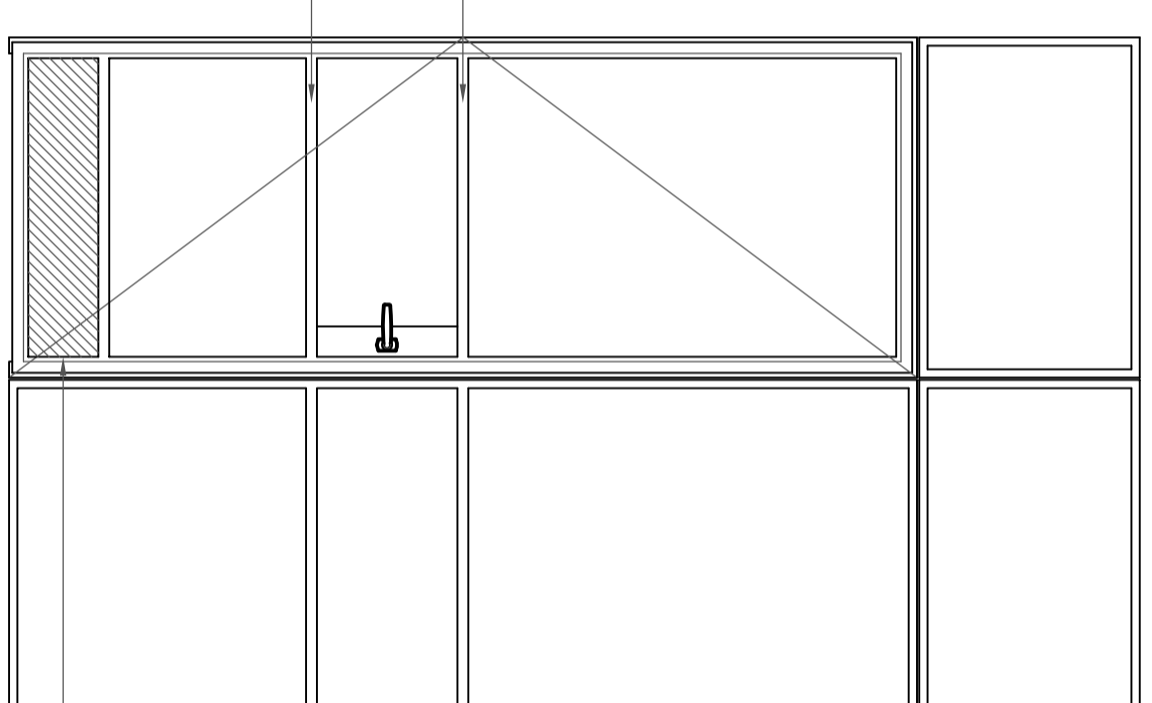
TYPICAL SINGLE DOOR



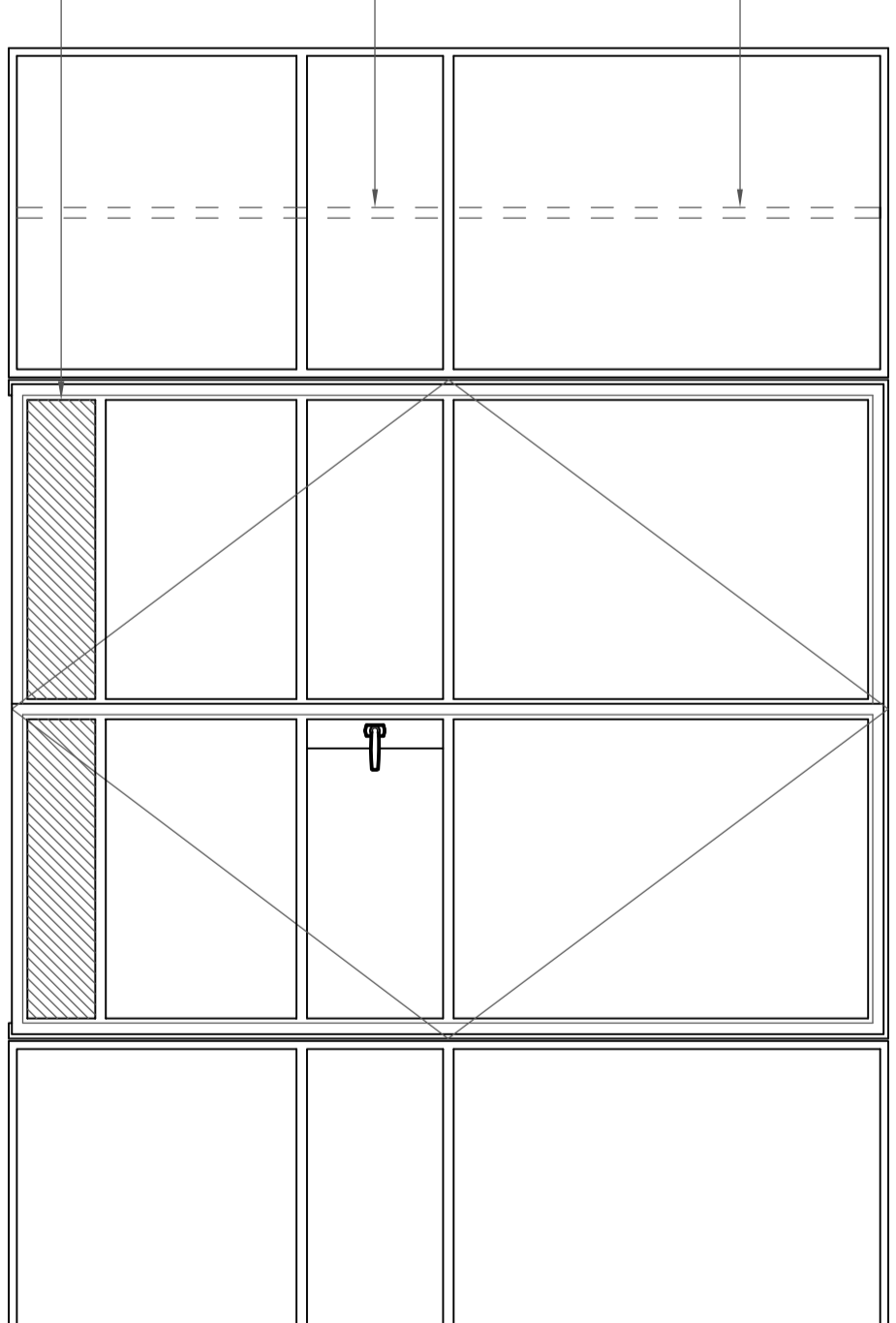
TYPICAL DOUBLE DOOR



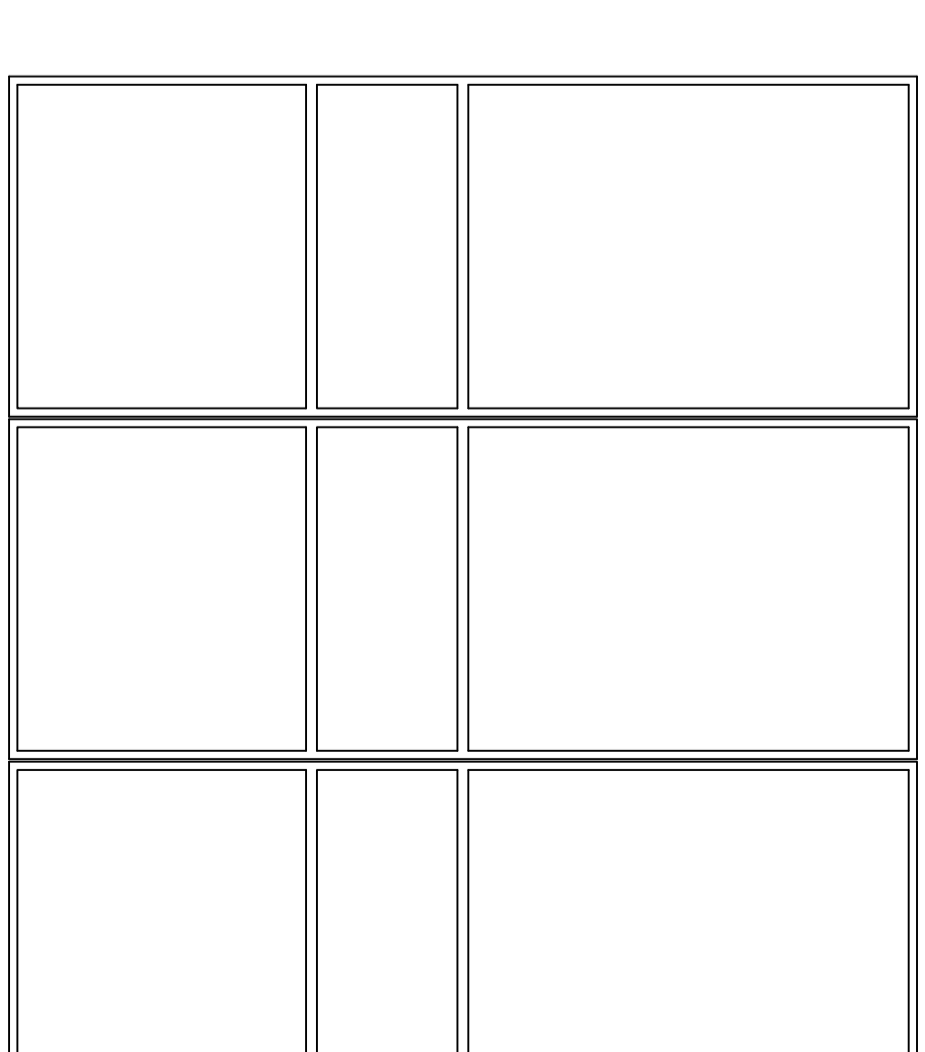
TYPICAL SINGLE DOOR WITH TOP-LIGHT



TYPICAL SINGLE DOOR WITH SIDE-LIGHT AND TOP-LIGHTS



TYPICAL DOUBLE DOOR WITH SIDE-LIGHTS ('BELGIUM DOOR')



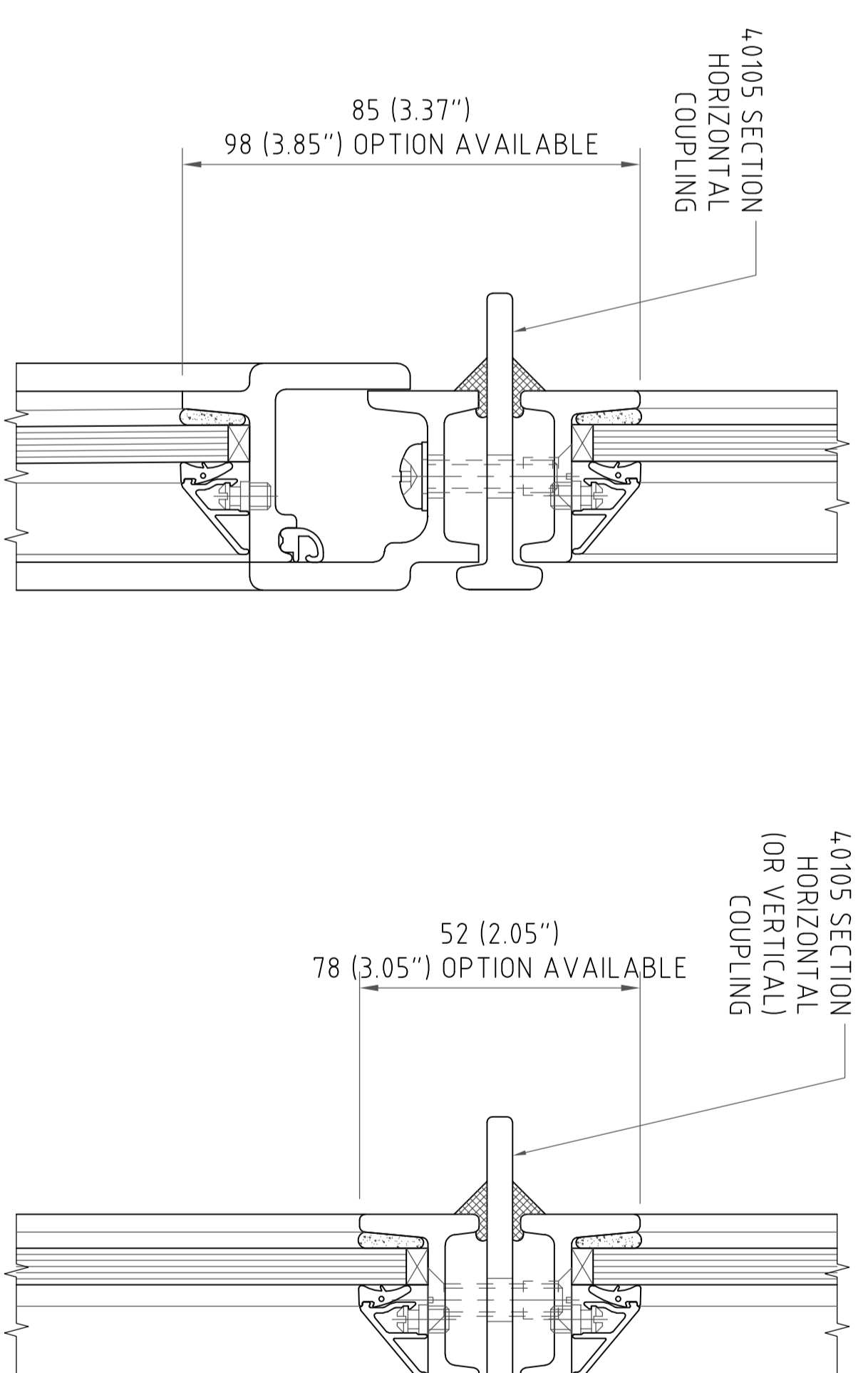
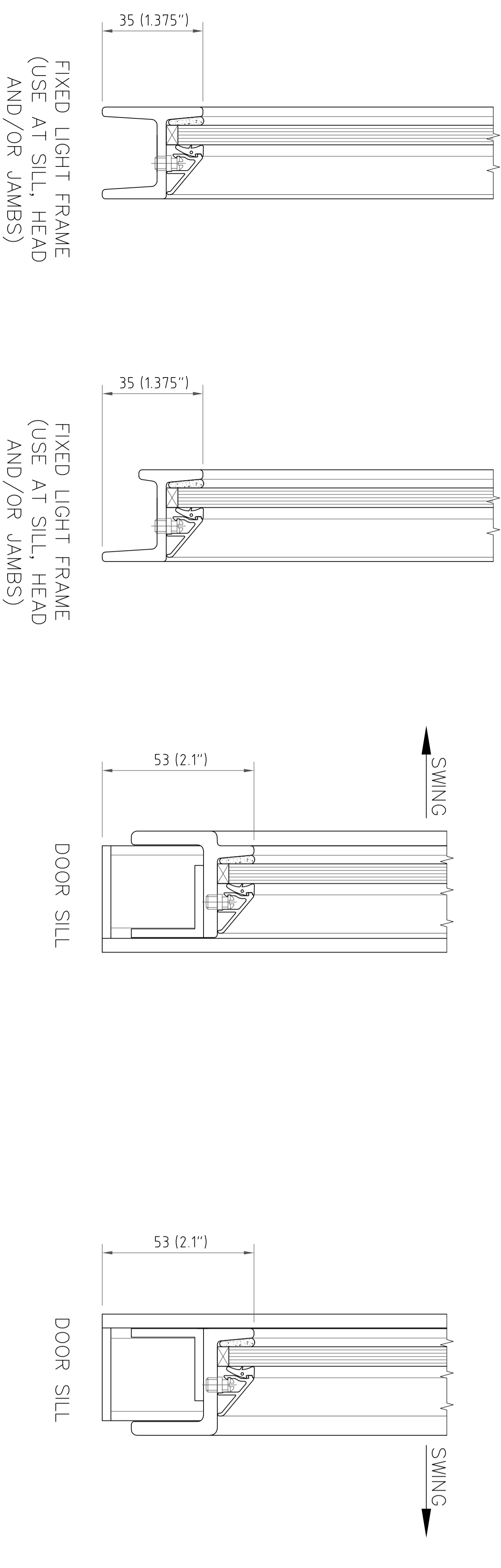
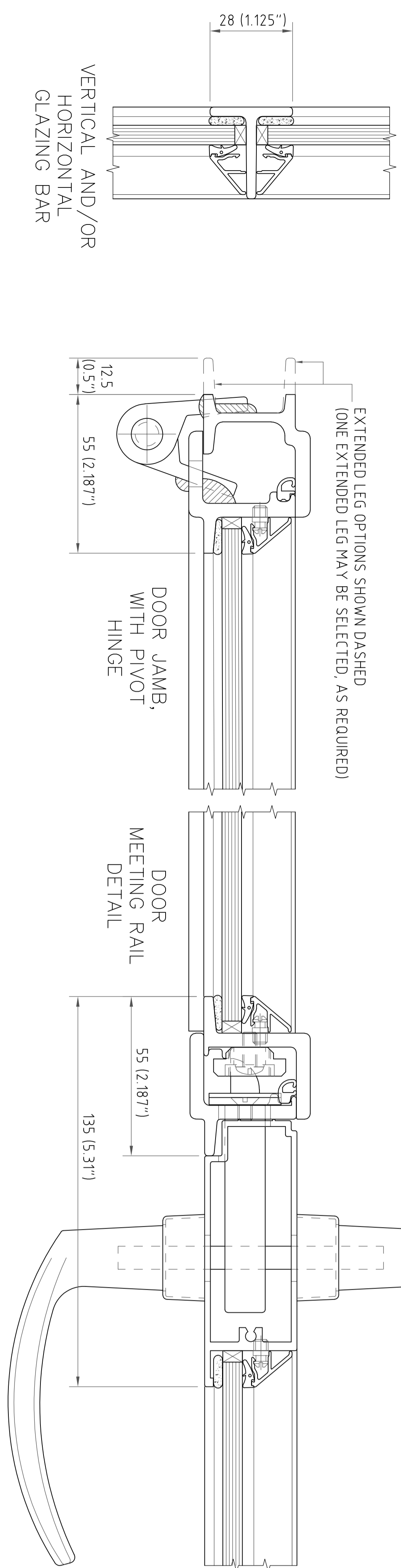
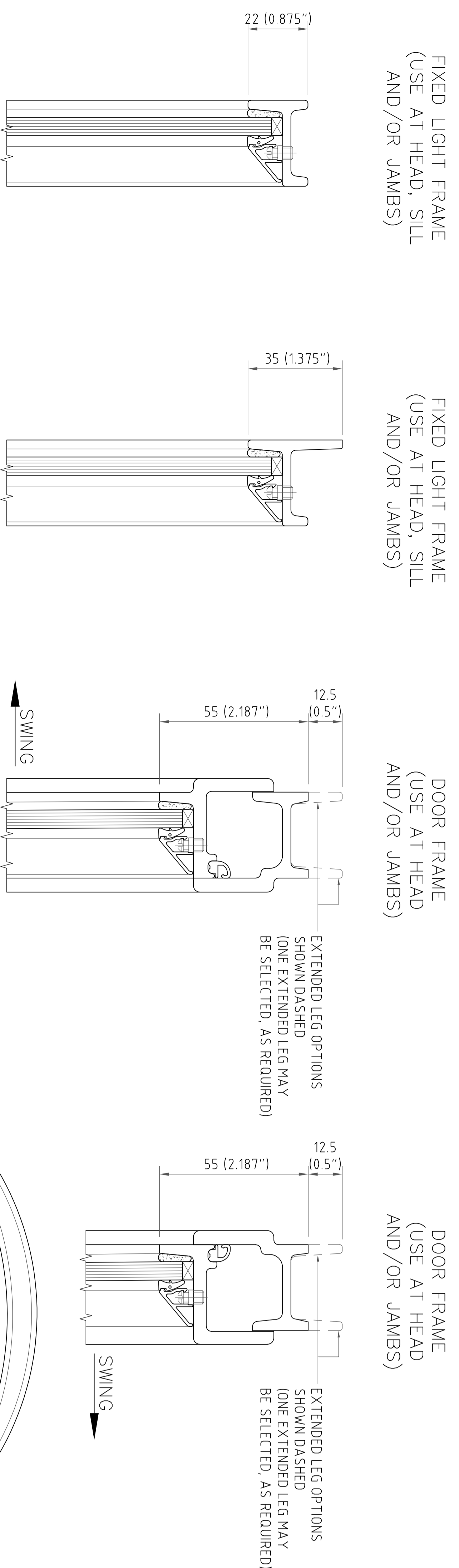
TYPICAL FIXED LIGHT SCREEN ASSEMBLY

TYPICAL GLAZING BAR CONFIGURATION SHOWN. OTHER OPTIONS ARE POSSIBLE

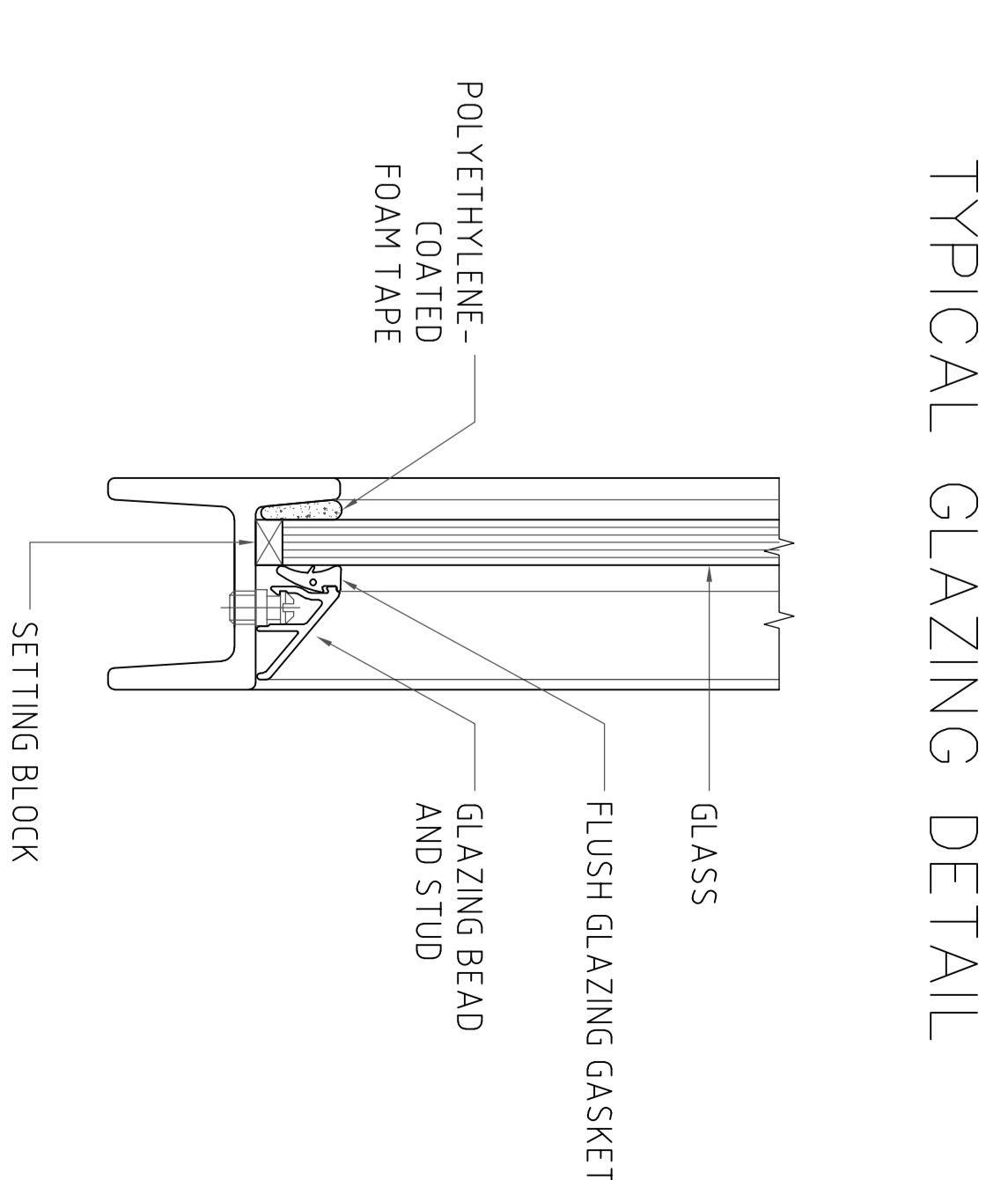
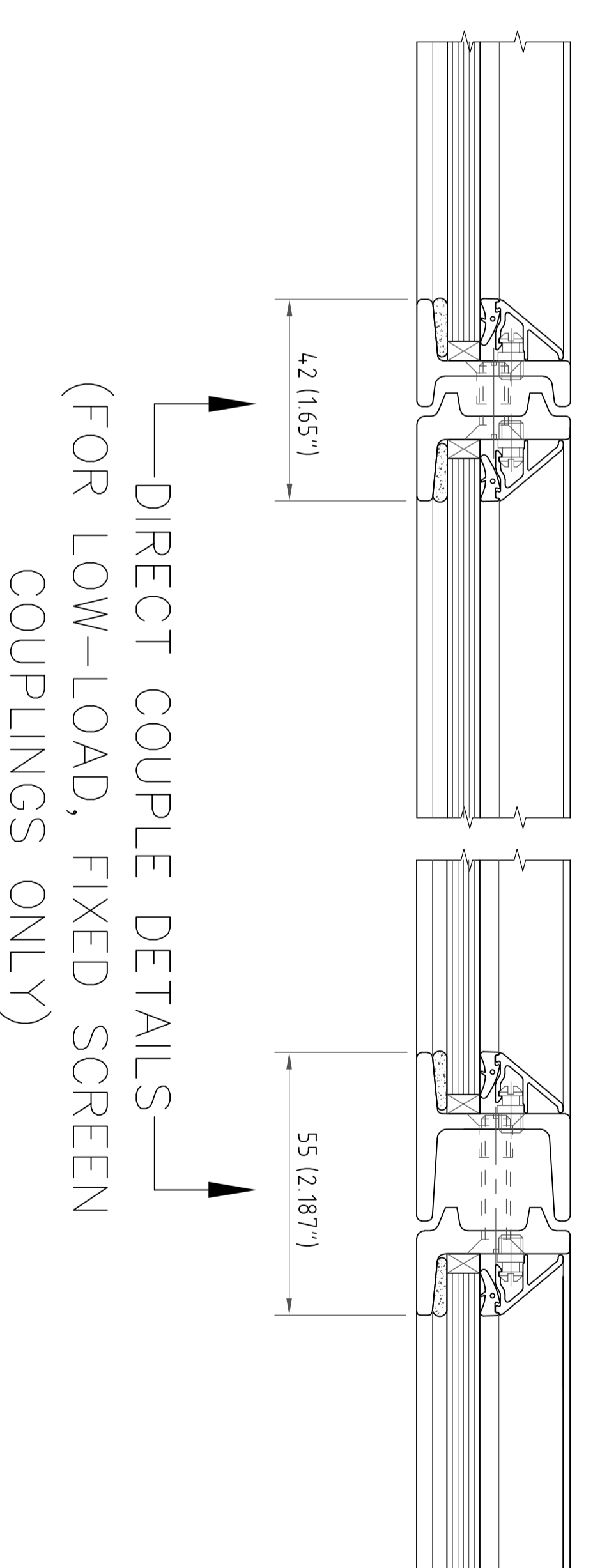
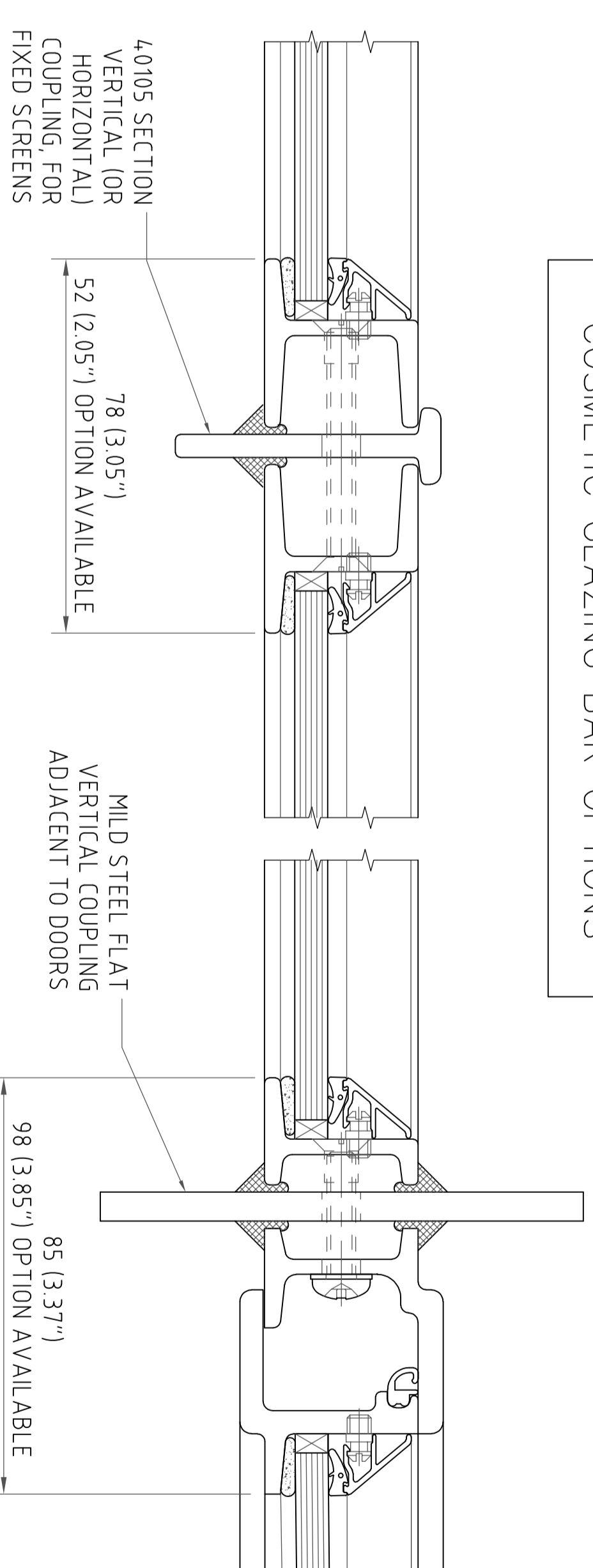
VERTICAL GLAZING BARS MAY BE ADDED TO ALL ASSEMBLIES

KICK PANELS REQUIRED FOR LARGER DOORS

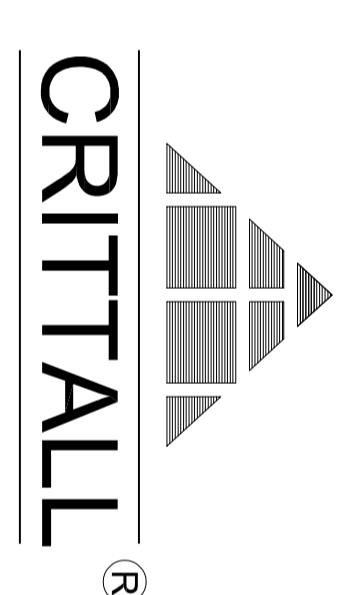
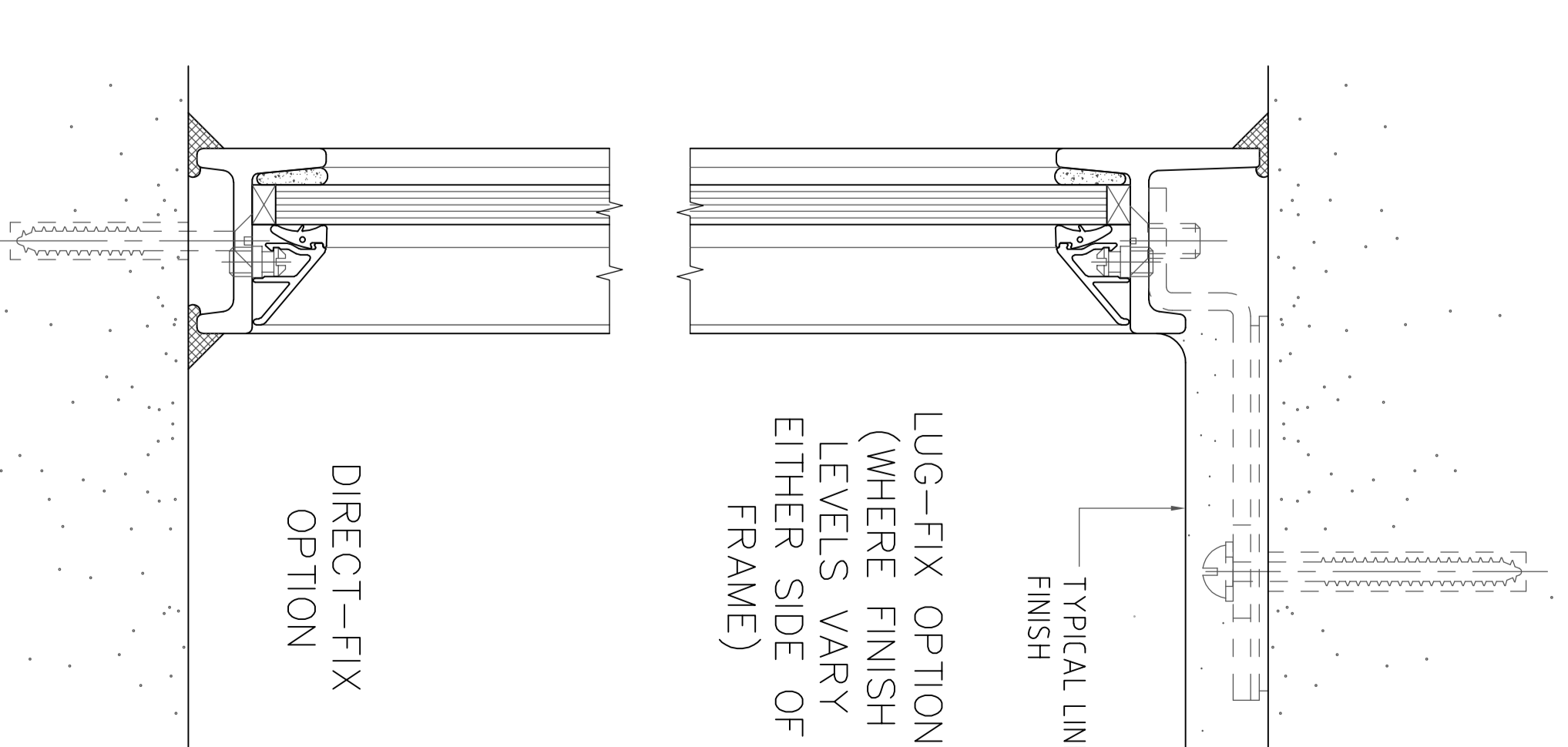
FRAME PROFILES



SEE CORPORATE W20 DRAWING FOR COSMETIC GLAZING BAR OPTIONS



TYPICAL FIXING DETAILS



INNERVISION™ SCREENS GENERAL ARRANGEMENT

CRITTALL® IS A REGISTERED TRADE MARK OF CRITTALL WINDOWS LIMITED