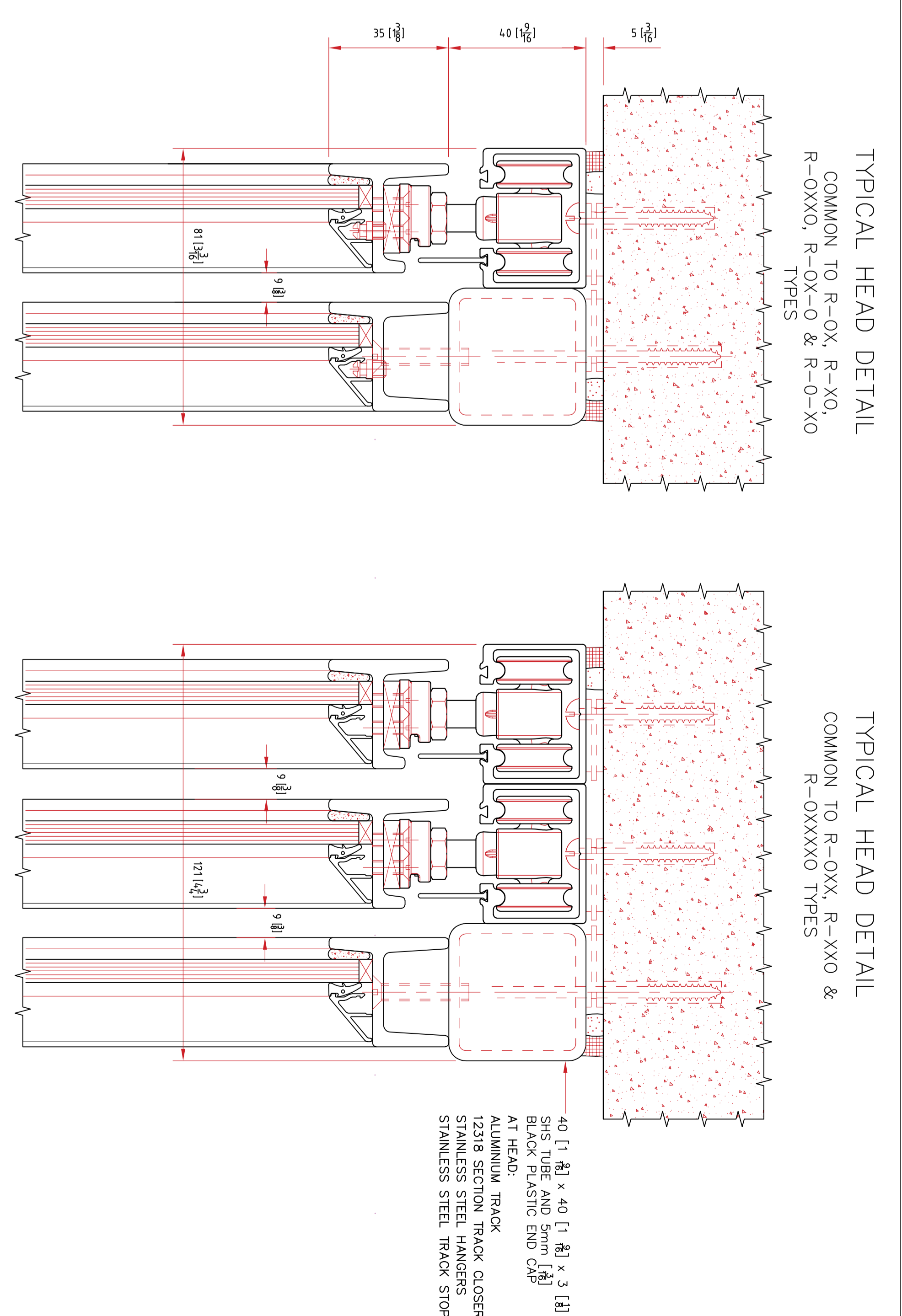
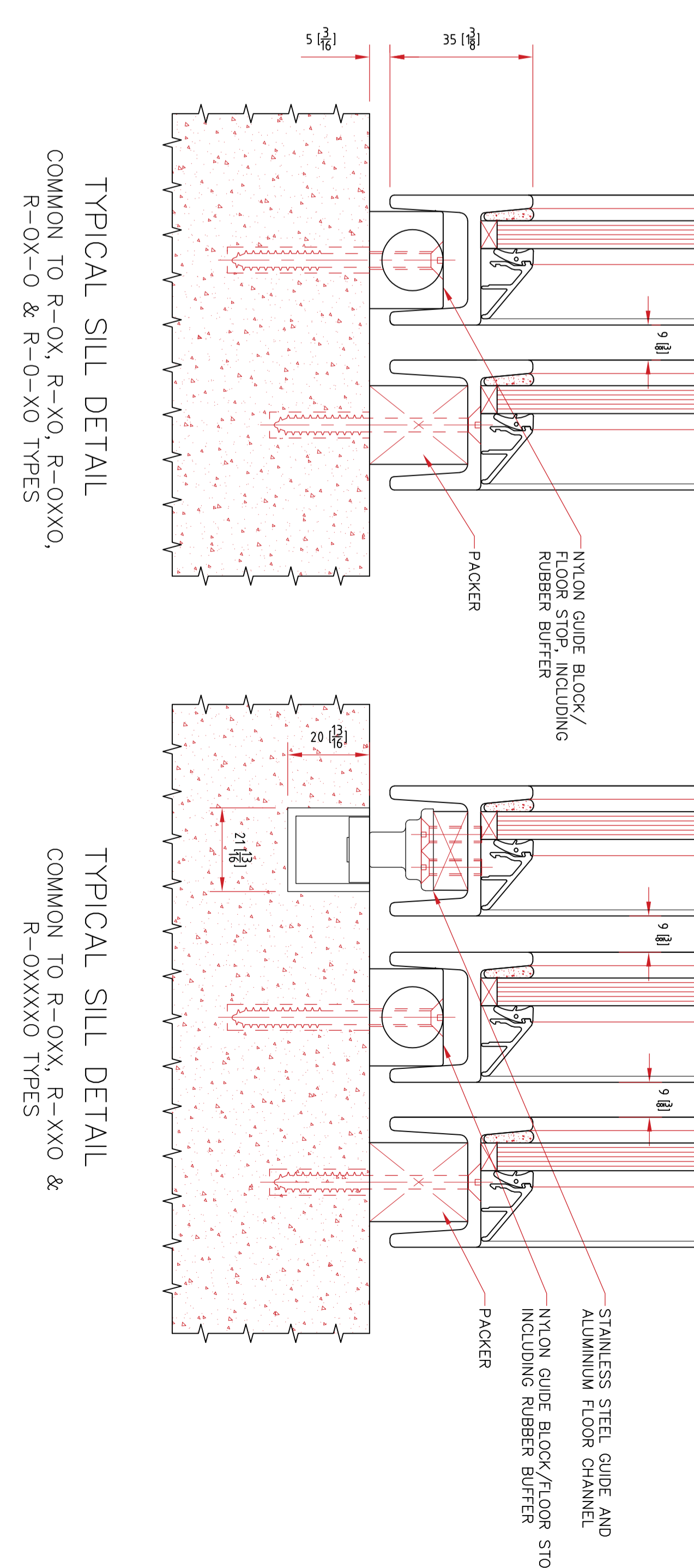
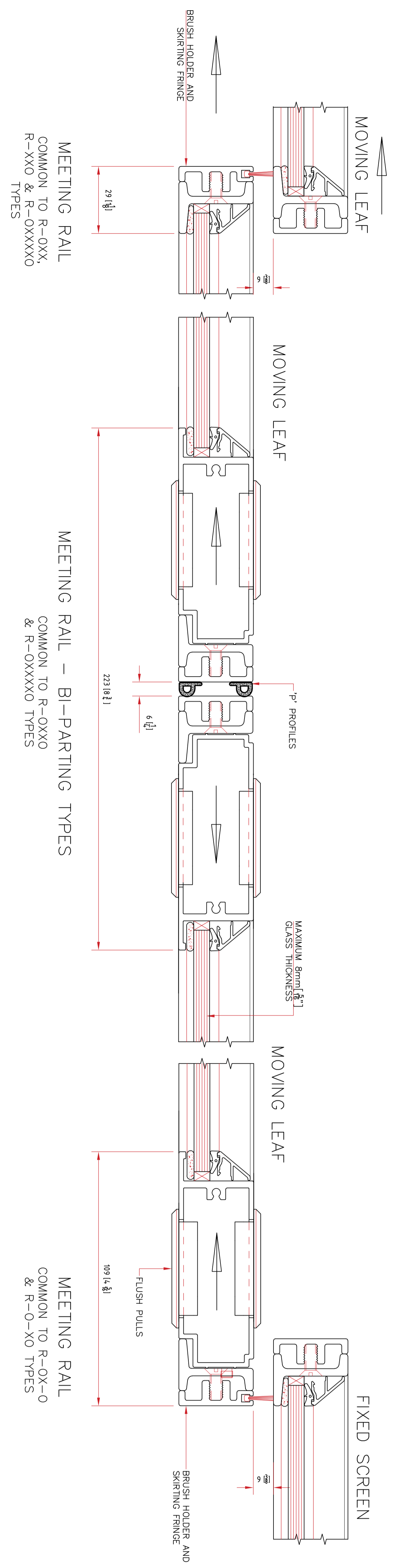
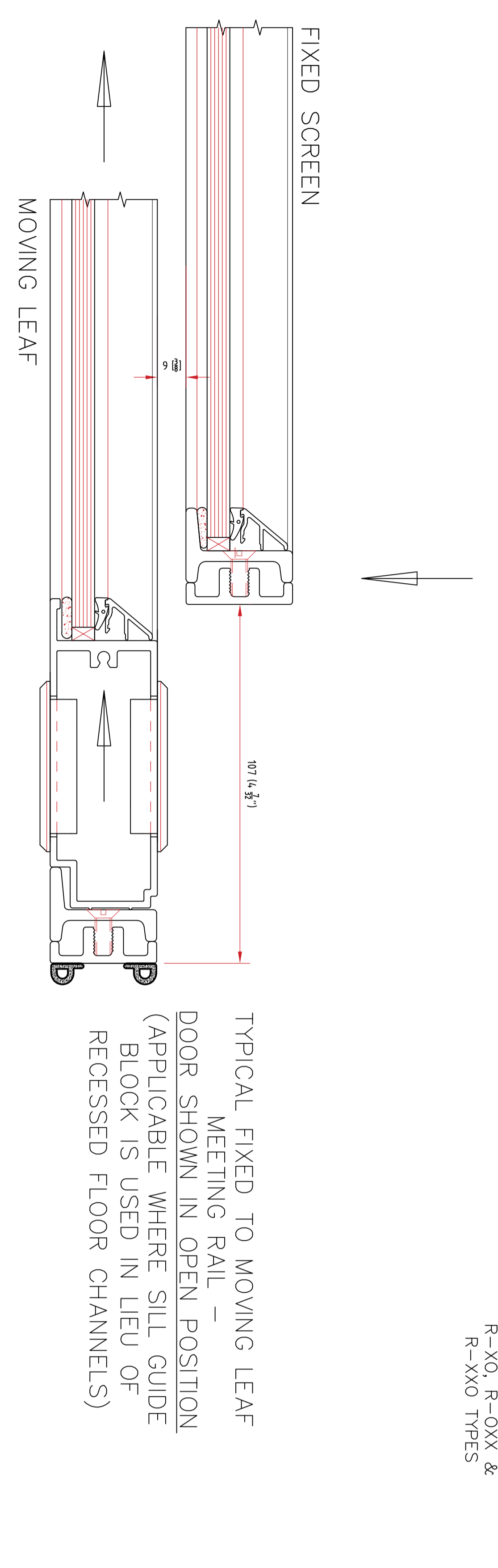
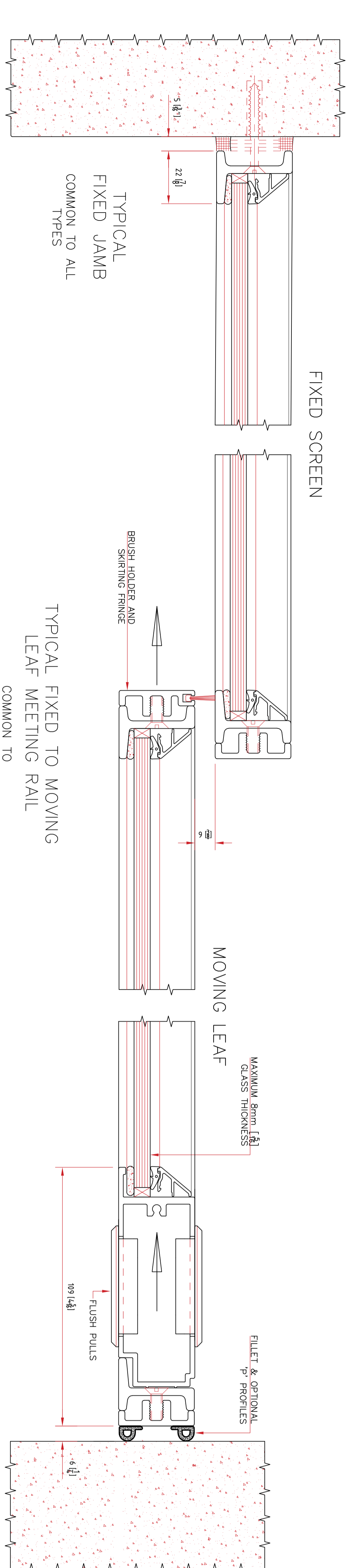
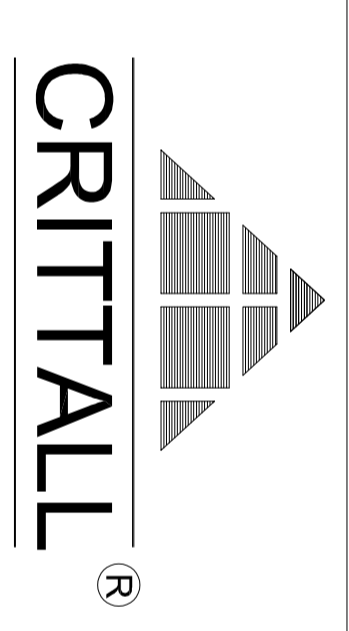


O = FIXED LEAF, X = MOVING LEAF. * LEAVES MOVE INDEPENDENTLY

TYPE R-OX	TYPE R-XO	TYPE R-OXXO	TYPE R-OX-O	TYPE R-O-XO	TYPE R-OXX	TYPE R-XXO	TYPE R-OXXXXO



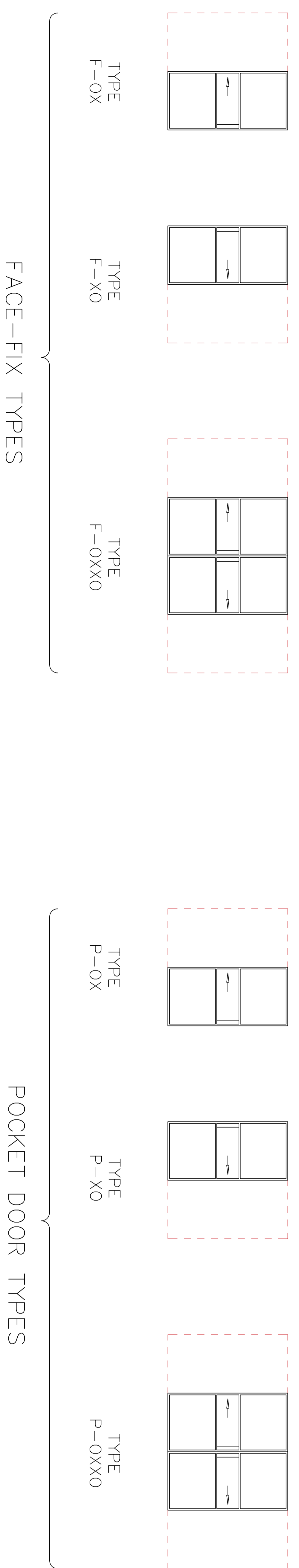
SEE SHEET 2 OF 2 FOR FACE-FIXED AND POCKET TYPES



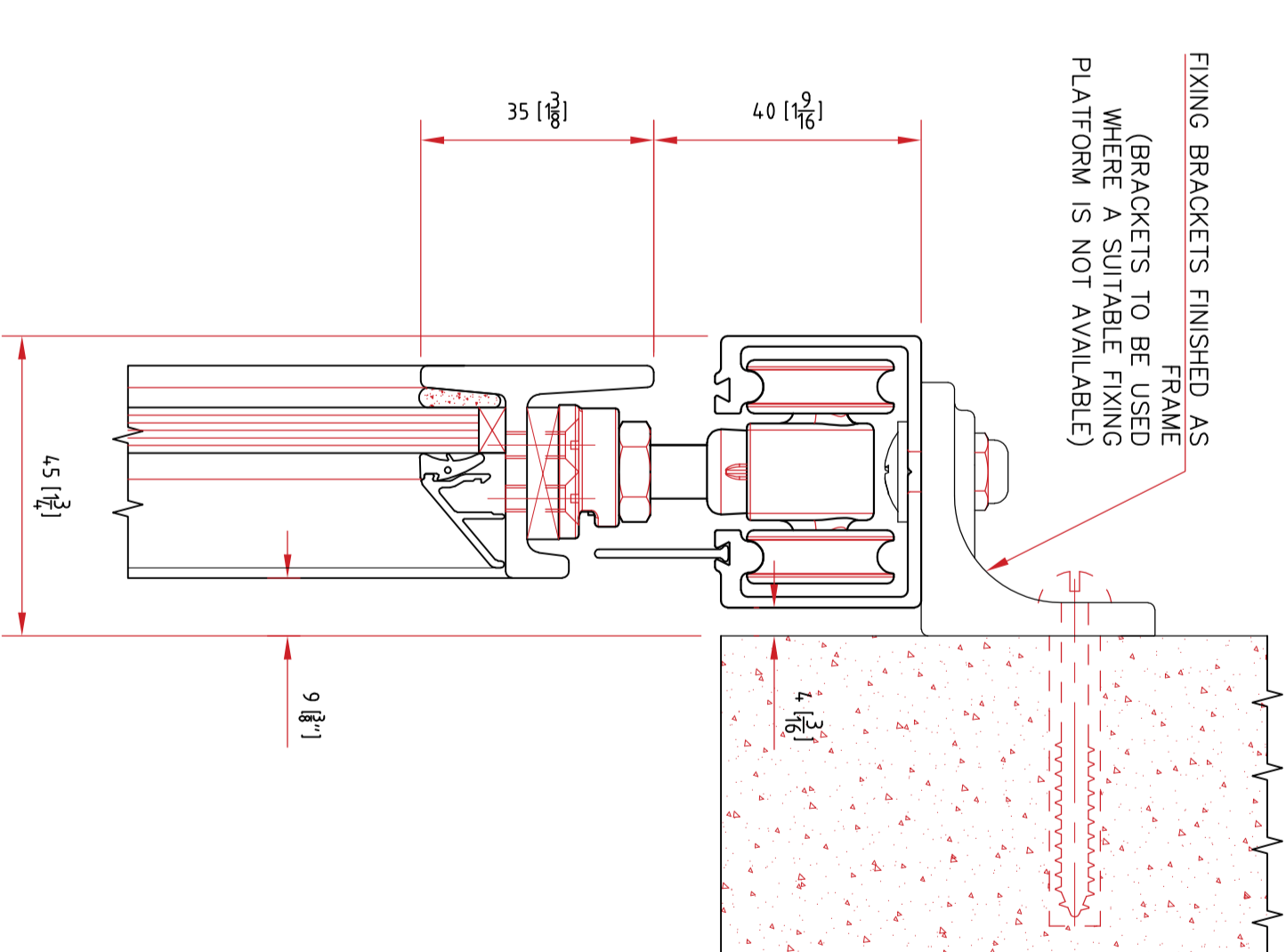
INNERVISION™ SLIDING DOORS - GENERAL ARRANGEMENT (REBATE TYPES)
CRITTALL® IS A REGISTERED TRADE MARK OF CRITTALL WINDOWS LIMITED

REF: IVA 08/20
SHEET 1 OF 2

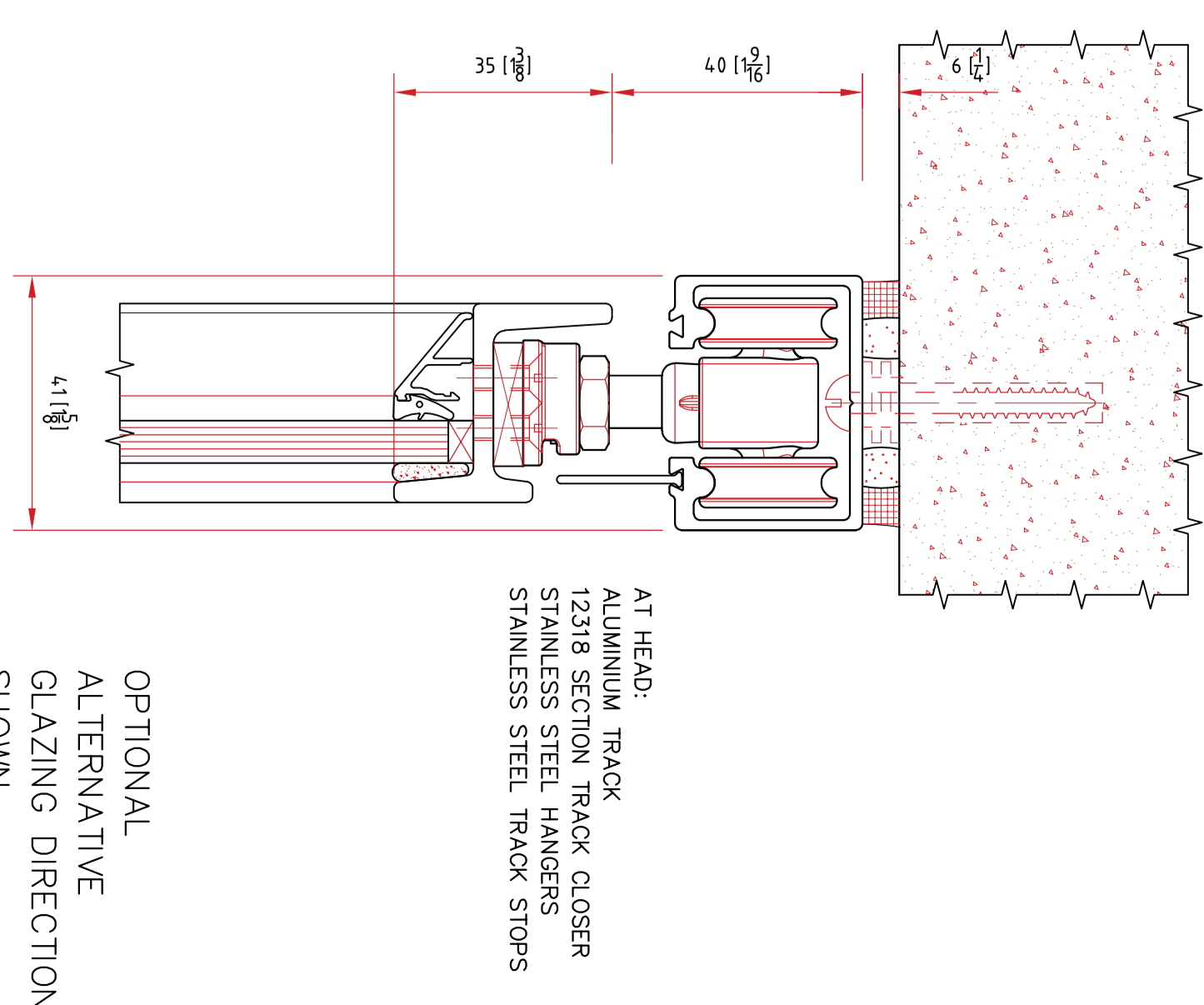
TYPE F = FACE-FIX; TYPE P = POCKET DOOR



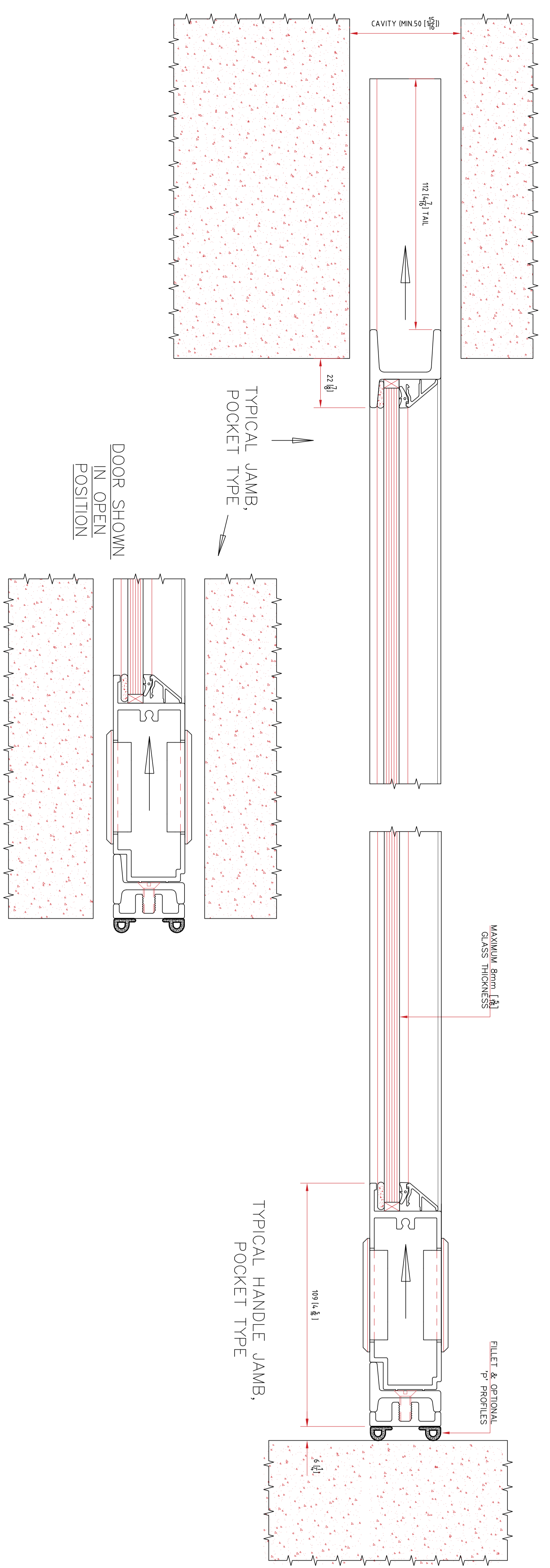
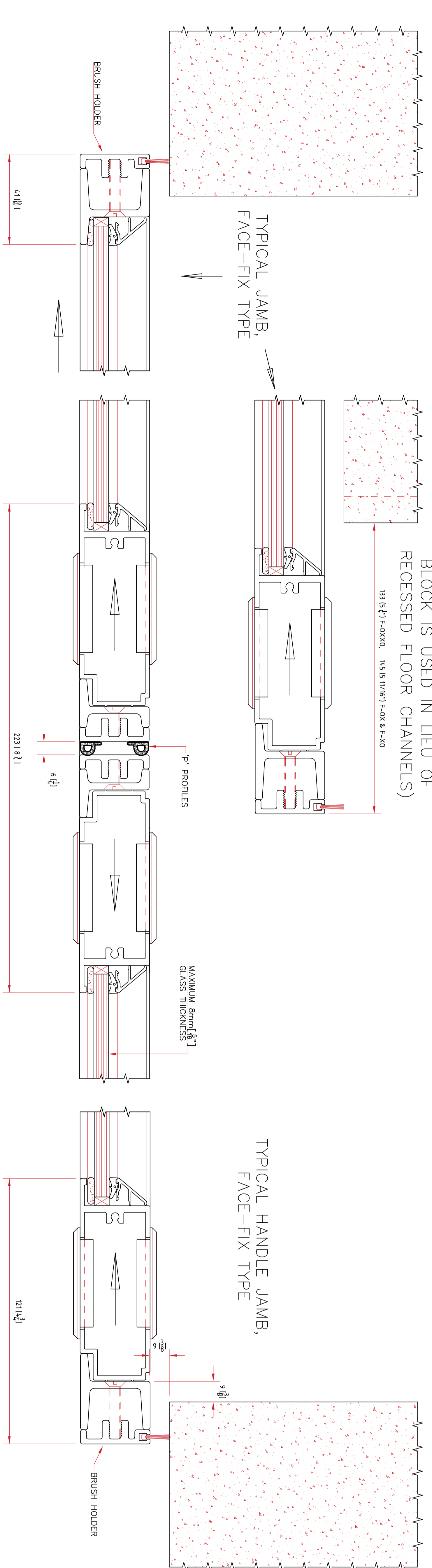
OPTIONAL HEAD DETAIL
FACE-FIX TYPES



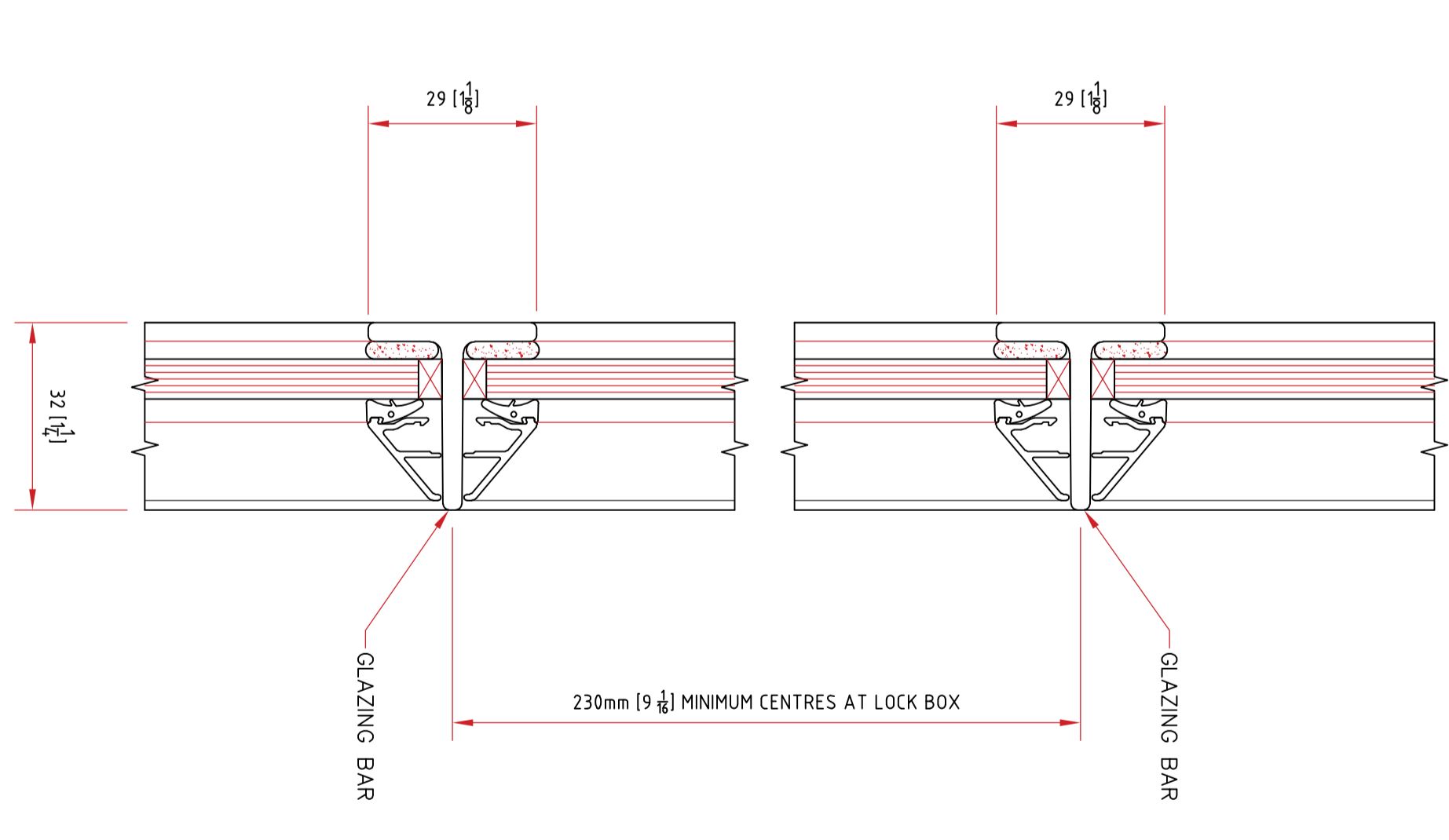
TYPICAL HEAD DETAIL
POCKET AND FACE-FIX TYPES



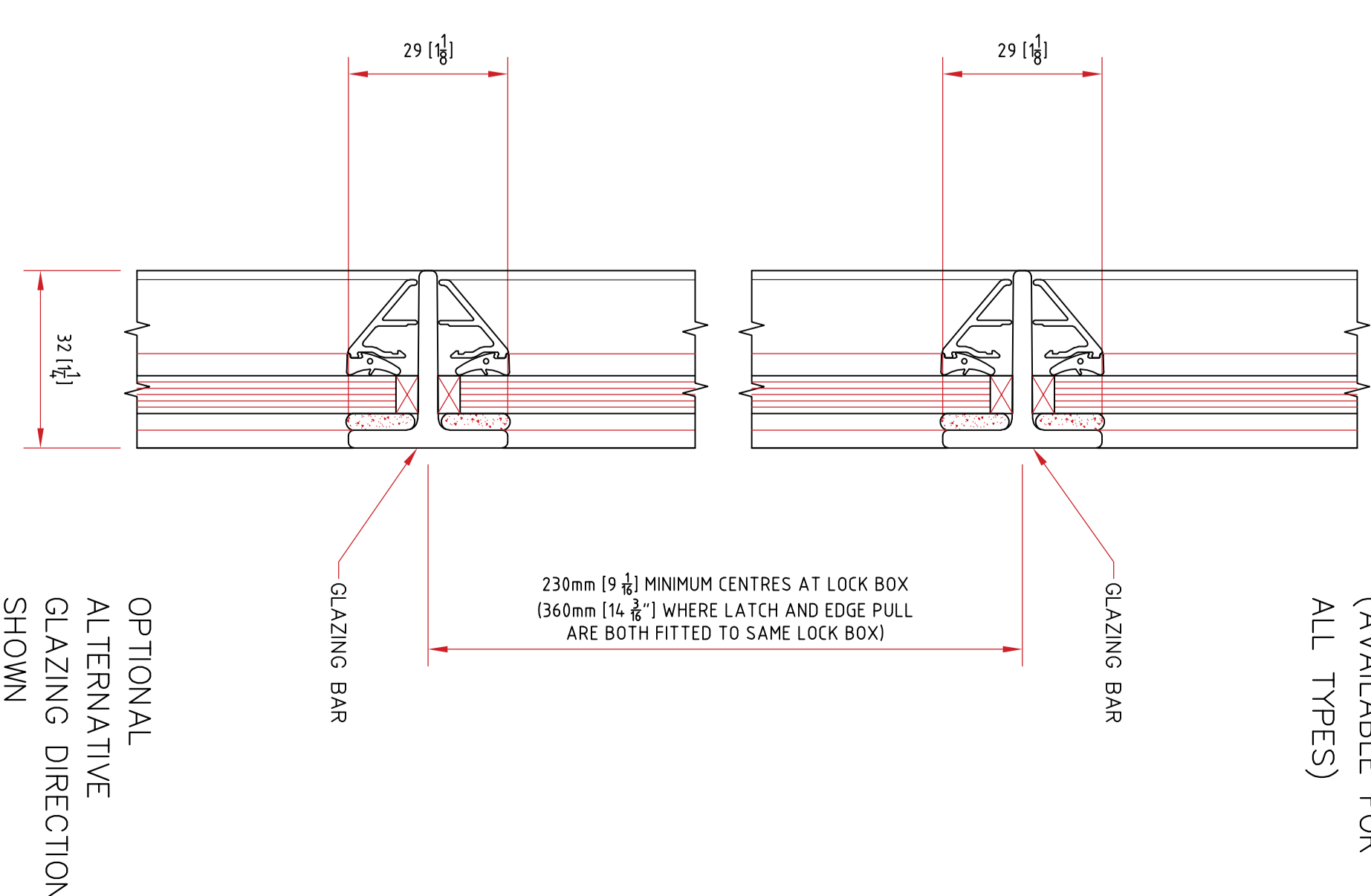
OPTIONAL ALTERNATIVE GLAZING DIRECTION SHOWN (AVAILABLE FOR ALL TYPES)



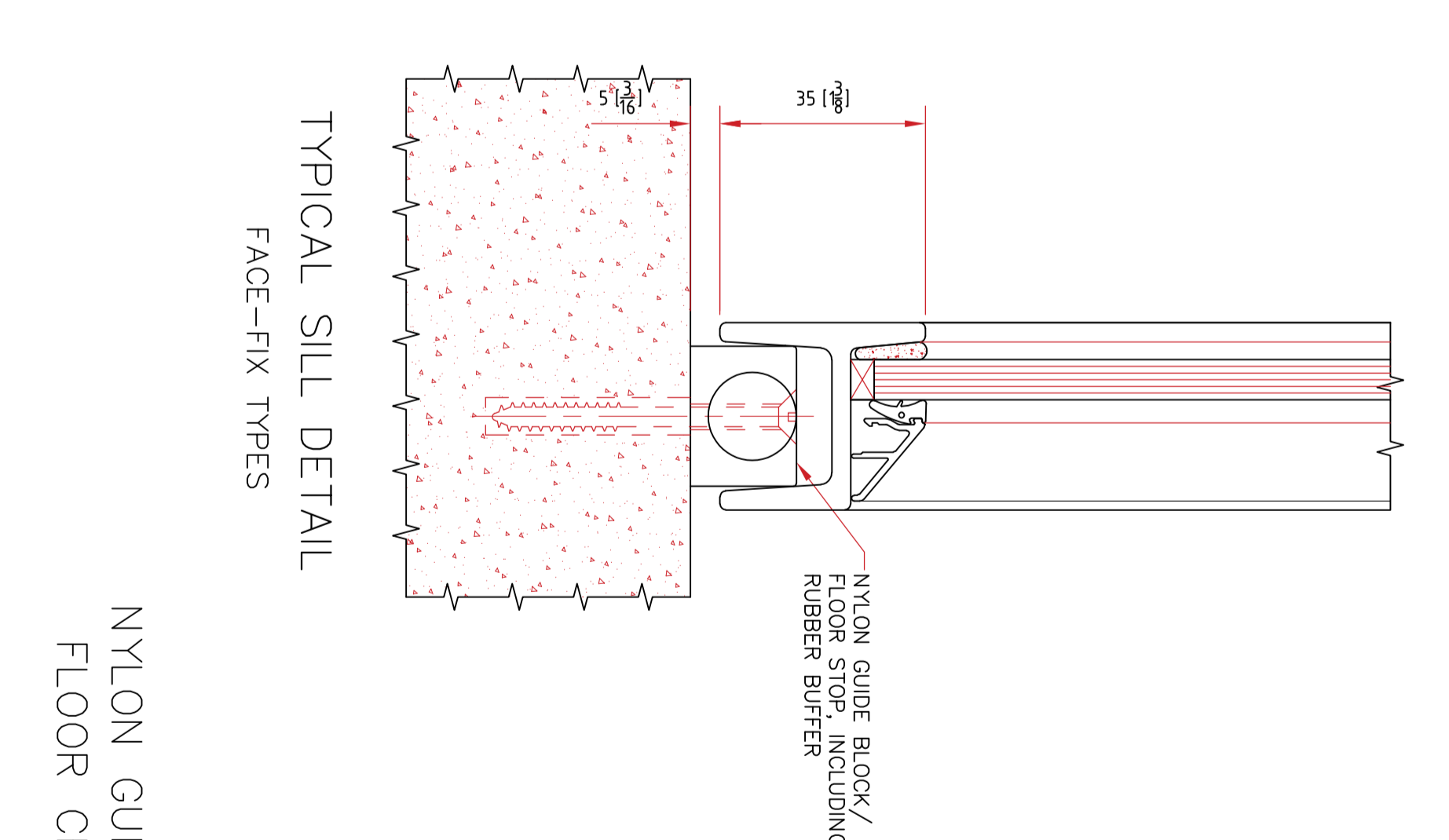
OPTIONAL HEAD DETAIL
FACE-FIX TYPES



TYPICAL HEAD DETAIL
POCKET AND FACE-FIX TYPES



OPTIONAL ALTERNATIVE GLAZING DIRECTION SHOWN (AVAILABLE FOR ALL TYPES)



NYLON GUIDE BLOCK OPTION SHOWN. FLOOR CHANNEL/ ROLLER OPTION ALSO AVAILABLE

