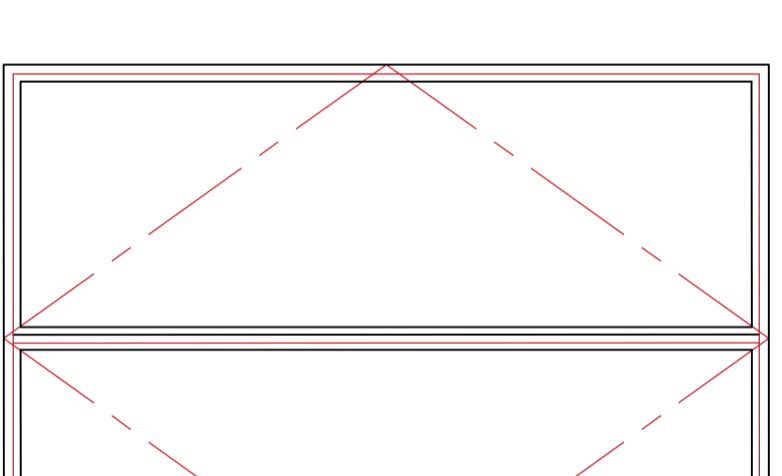
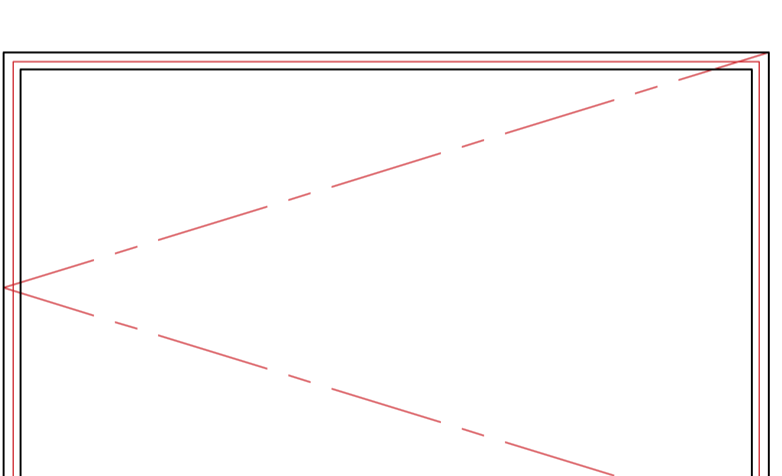
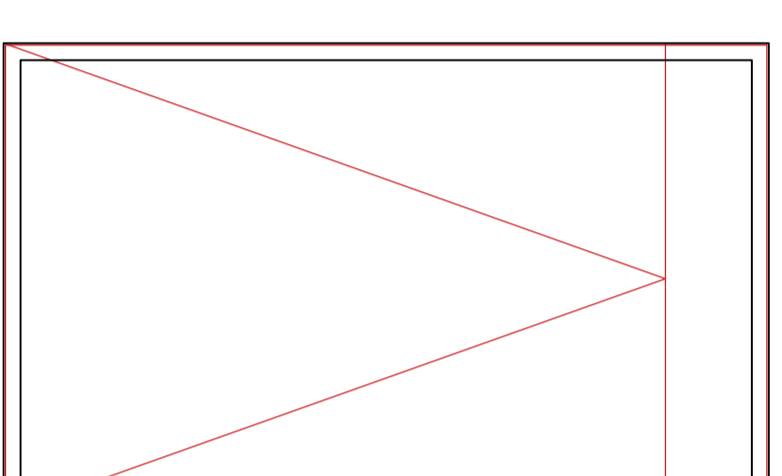
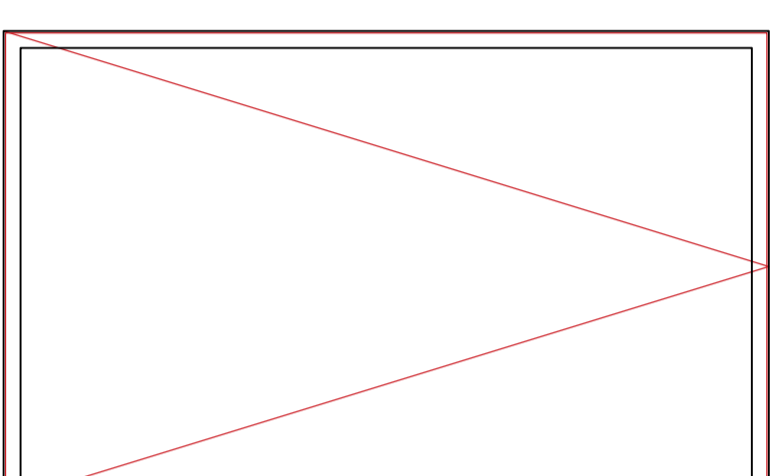
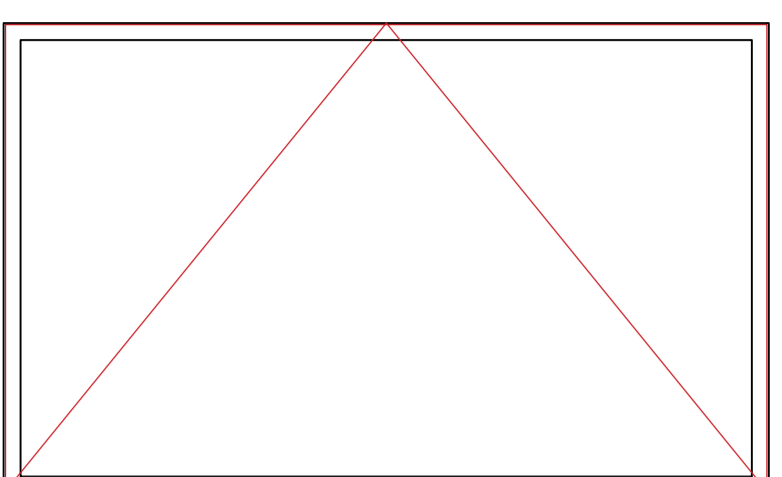
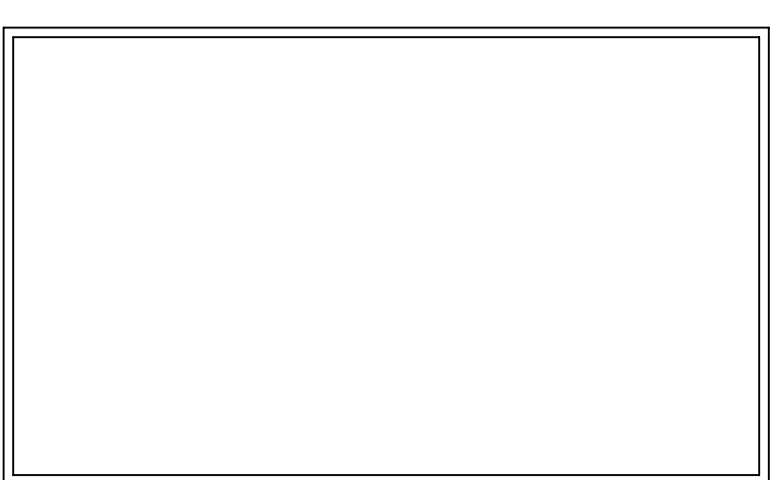


PRODUCT RANGE



FIXED LIGHT

SIDE HUNG CASEMENT  
OPEN IN & OUT

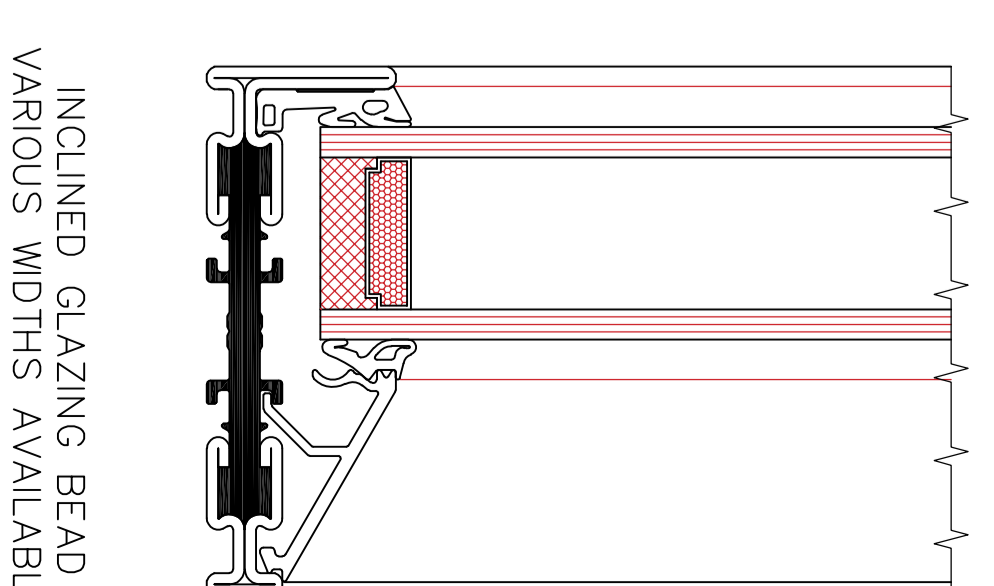
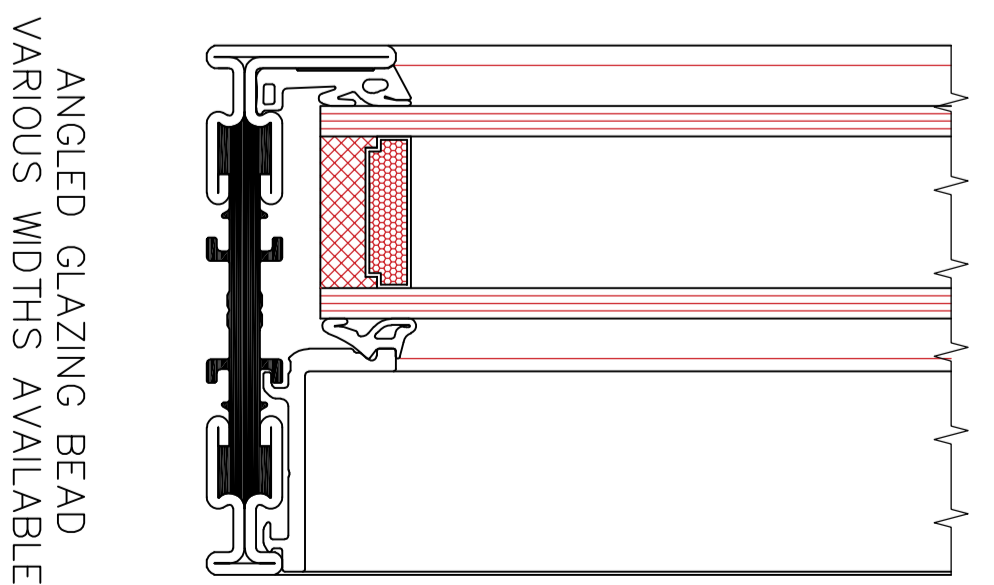
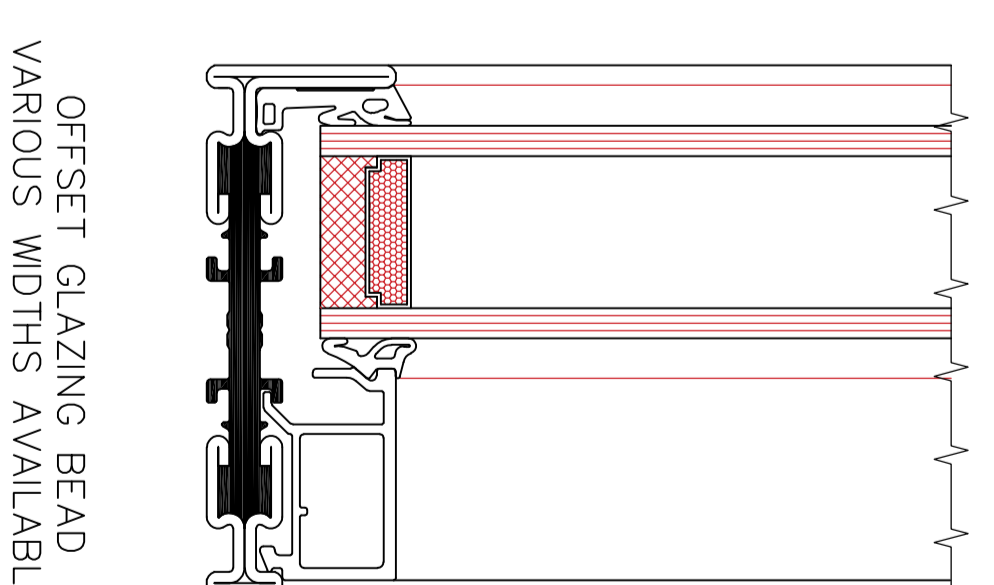
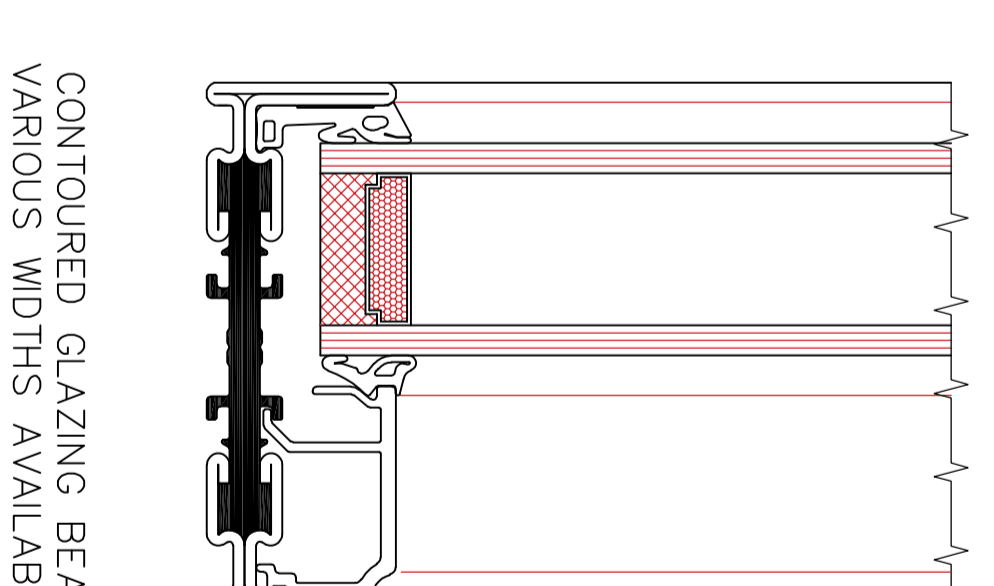
TOP HUNG VENT  
OPEN OUT

PROJECTING  
TOP HUNG VENT  
OPEN OUT

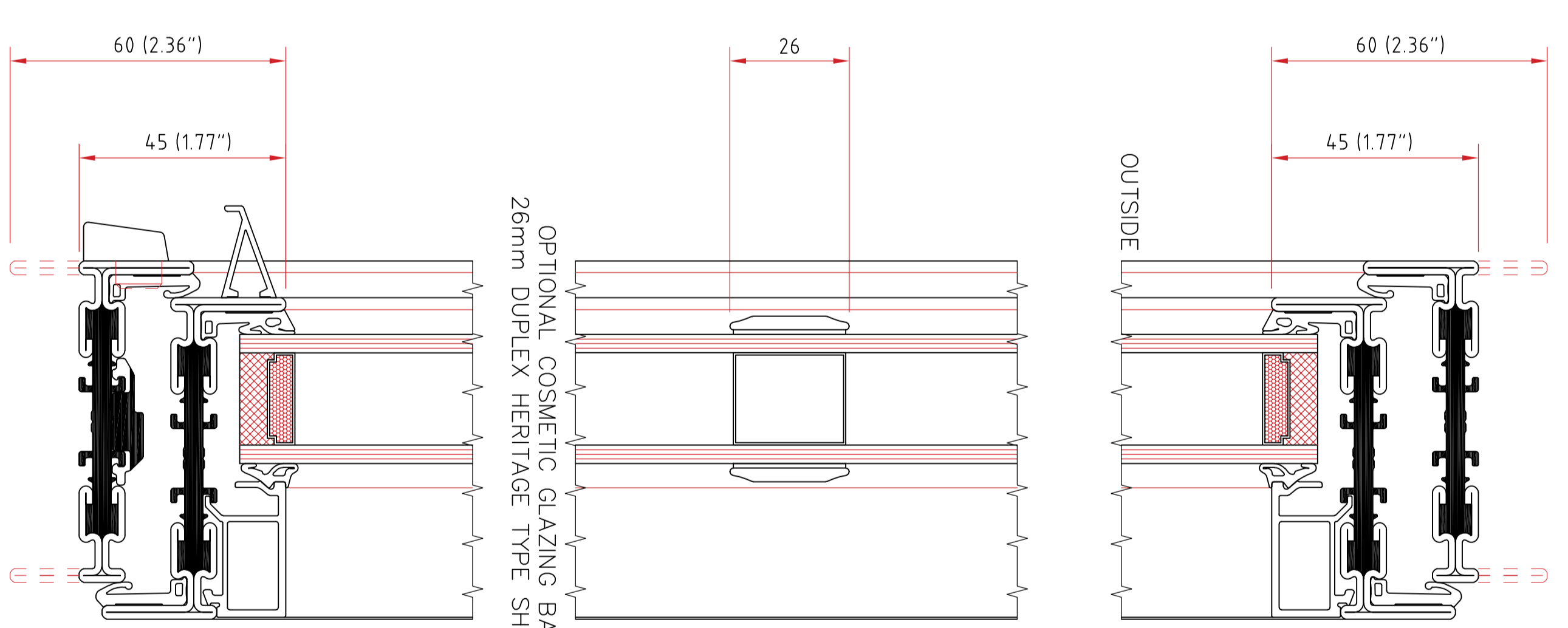
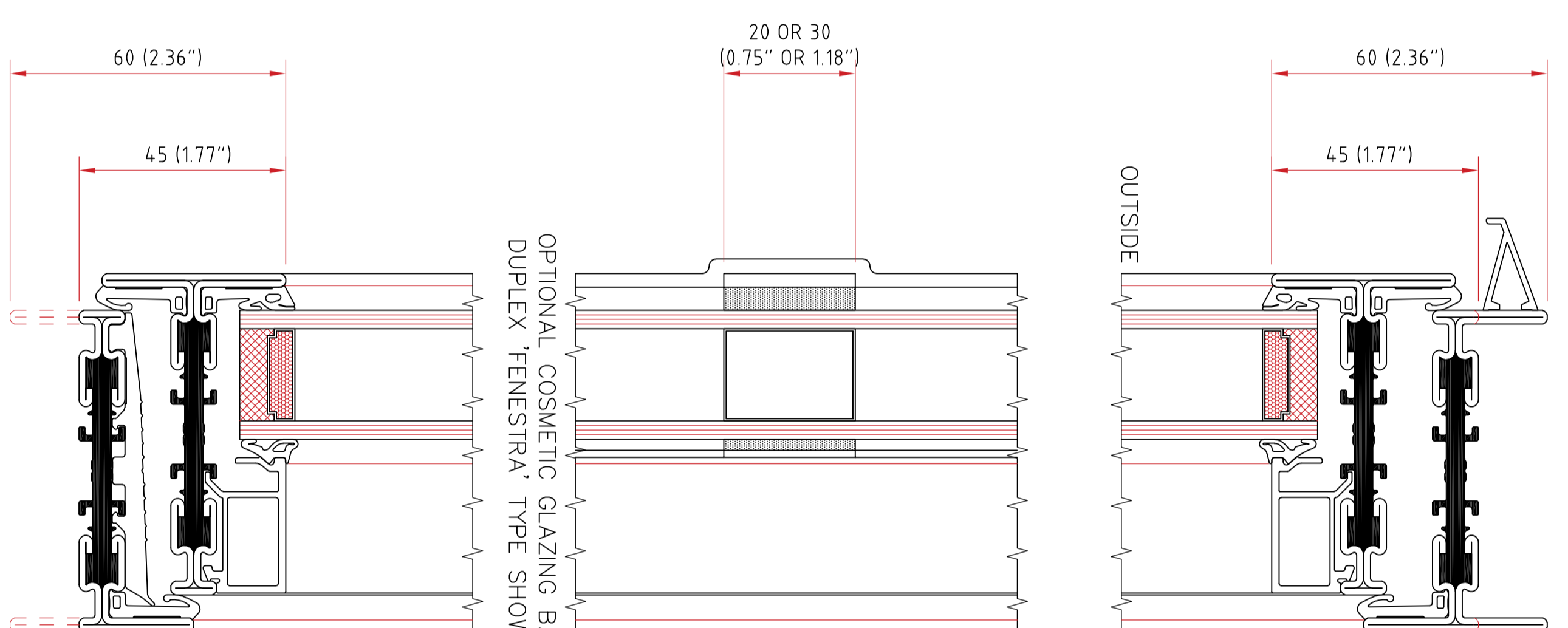
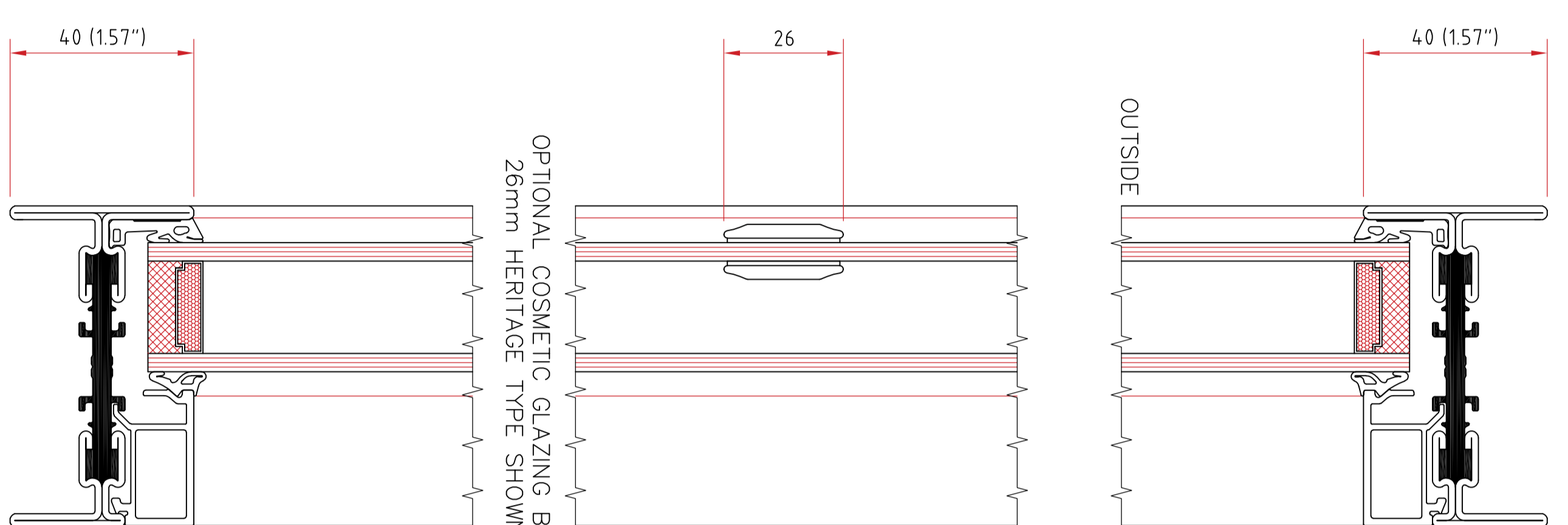
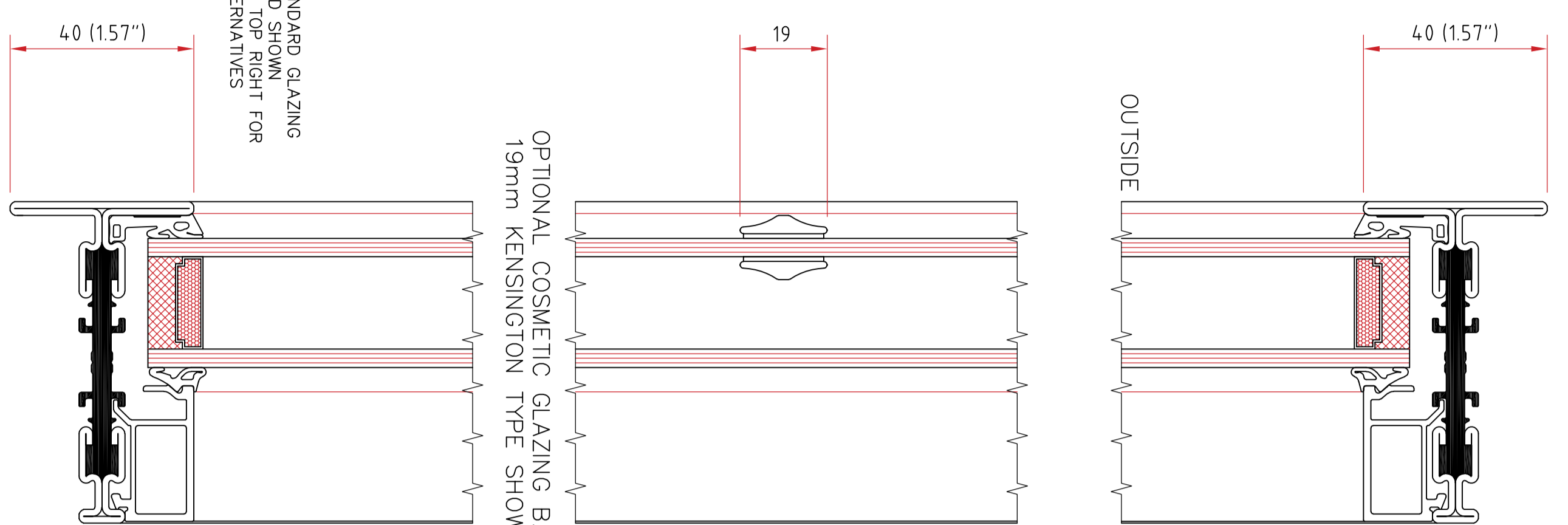
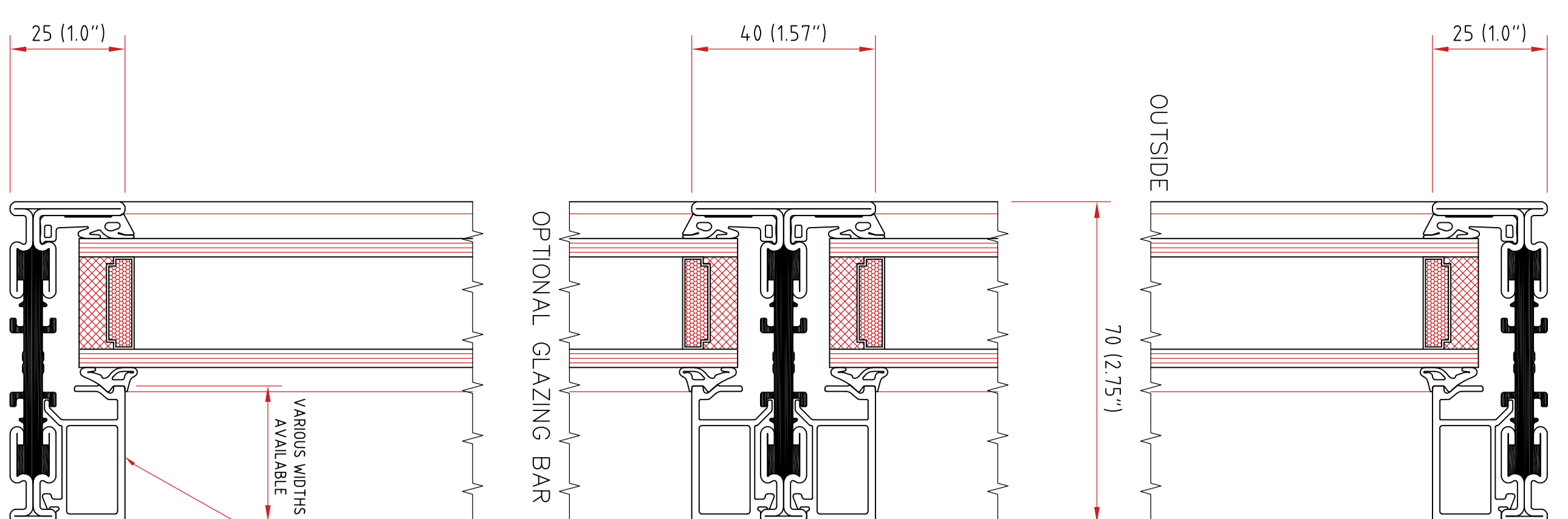
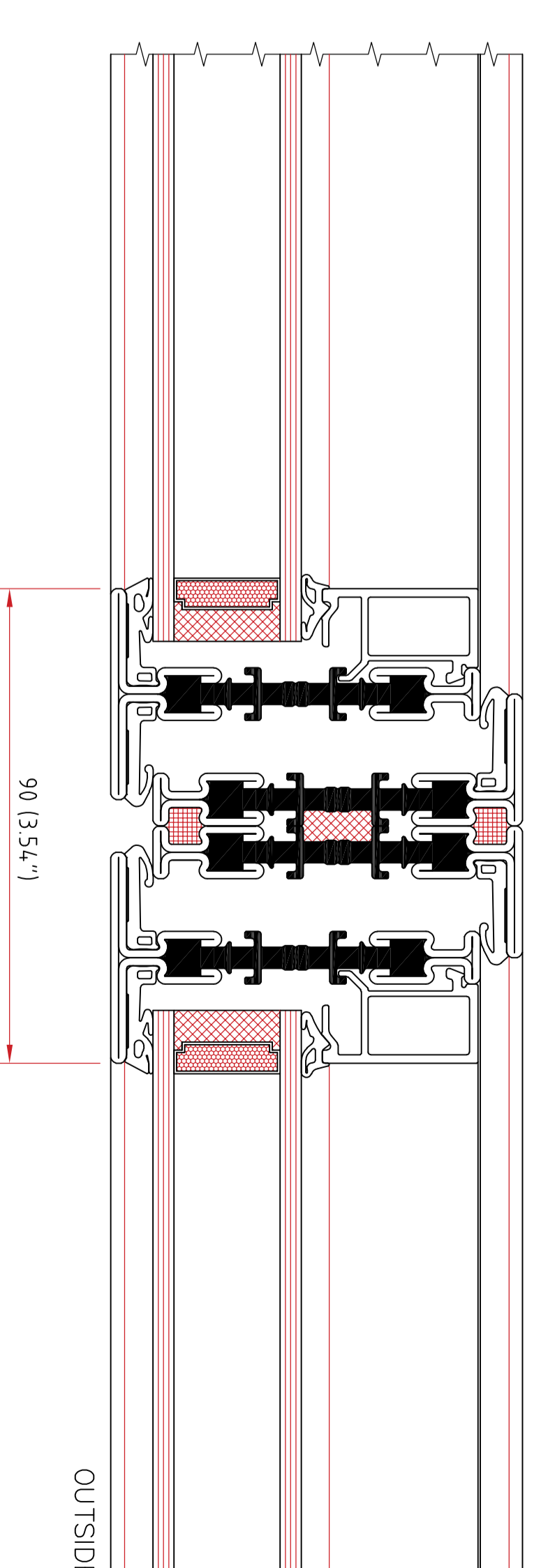
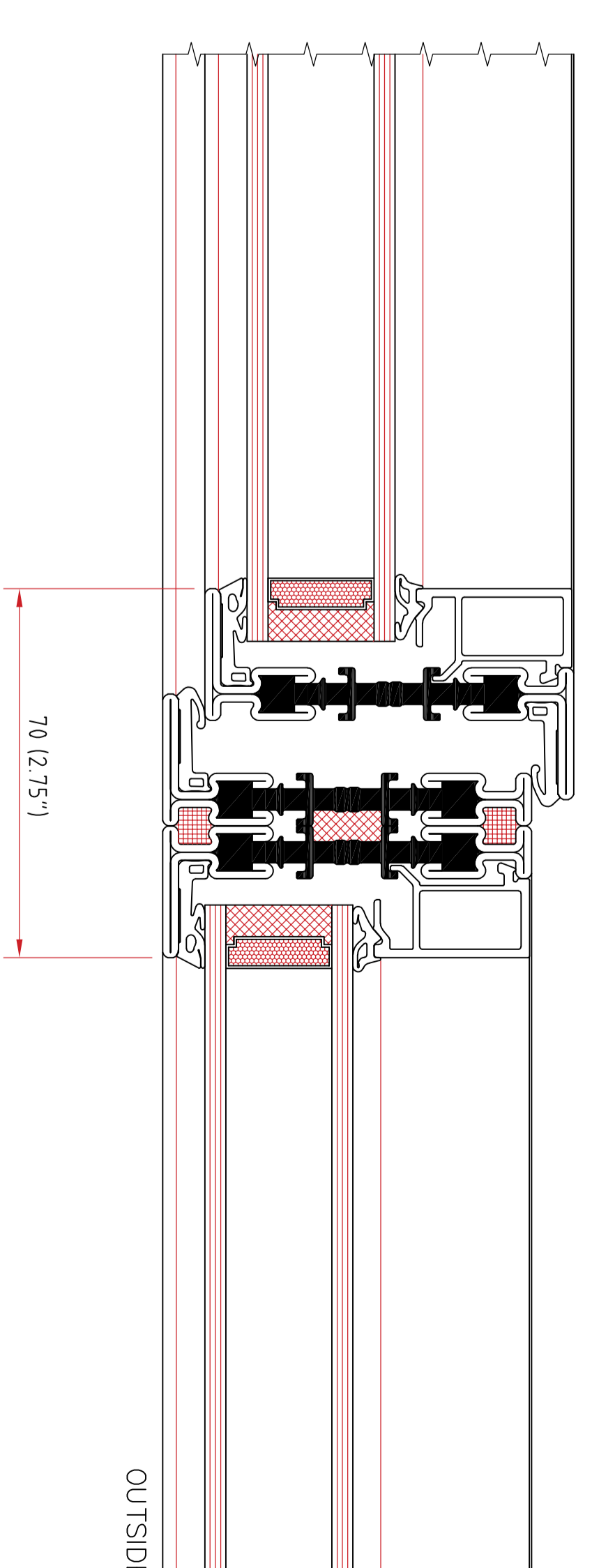
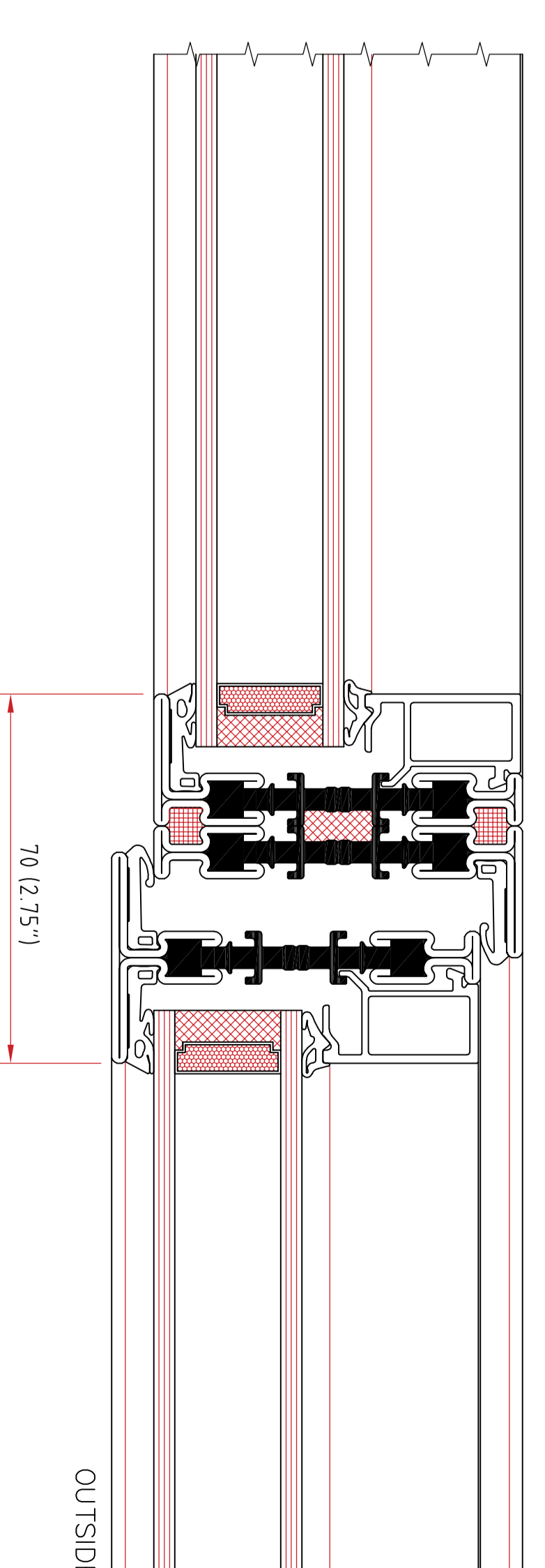
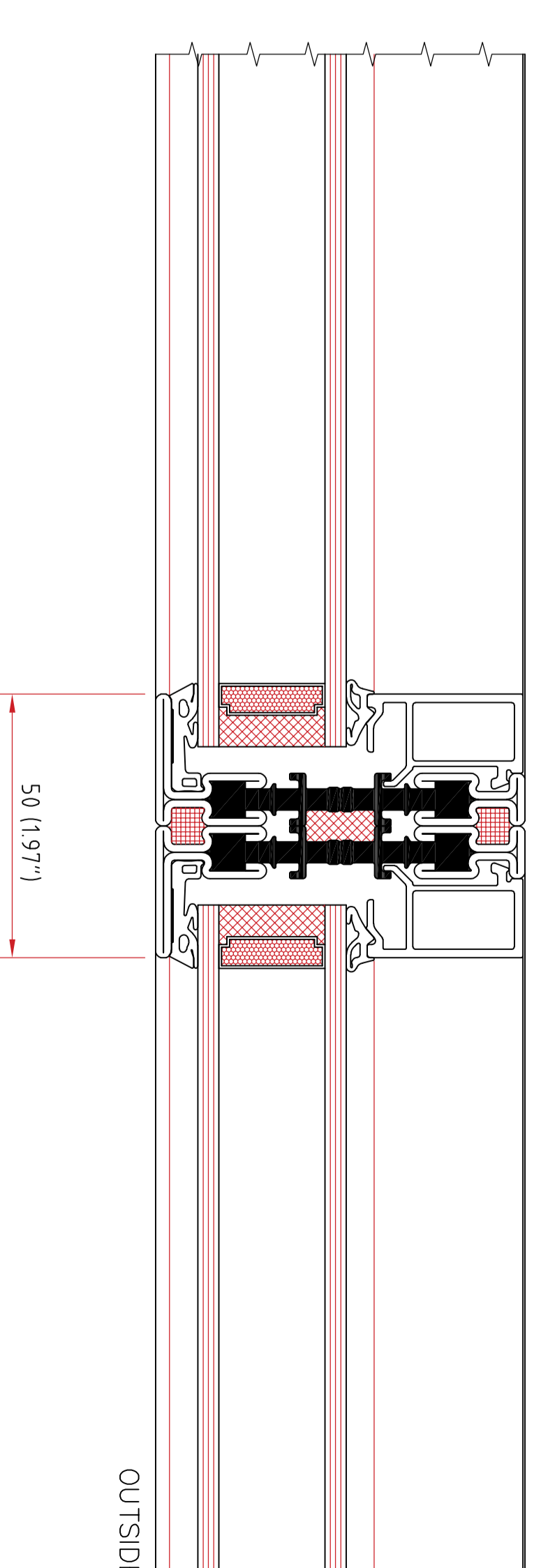
BOTTOM HUNG VENT  
OPEN IN

FRENCH CASEMENT  
OPEN IN

GLAZING BEAD OPTIONS



DIRECT COUPLING DETAILS

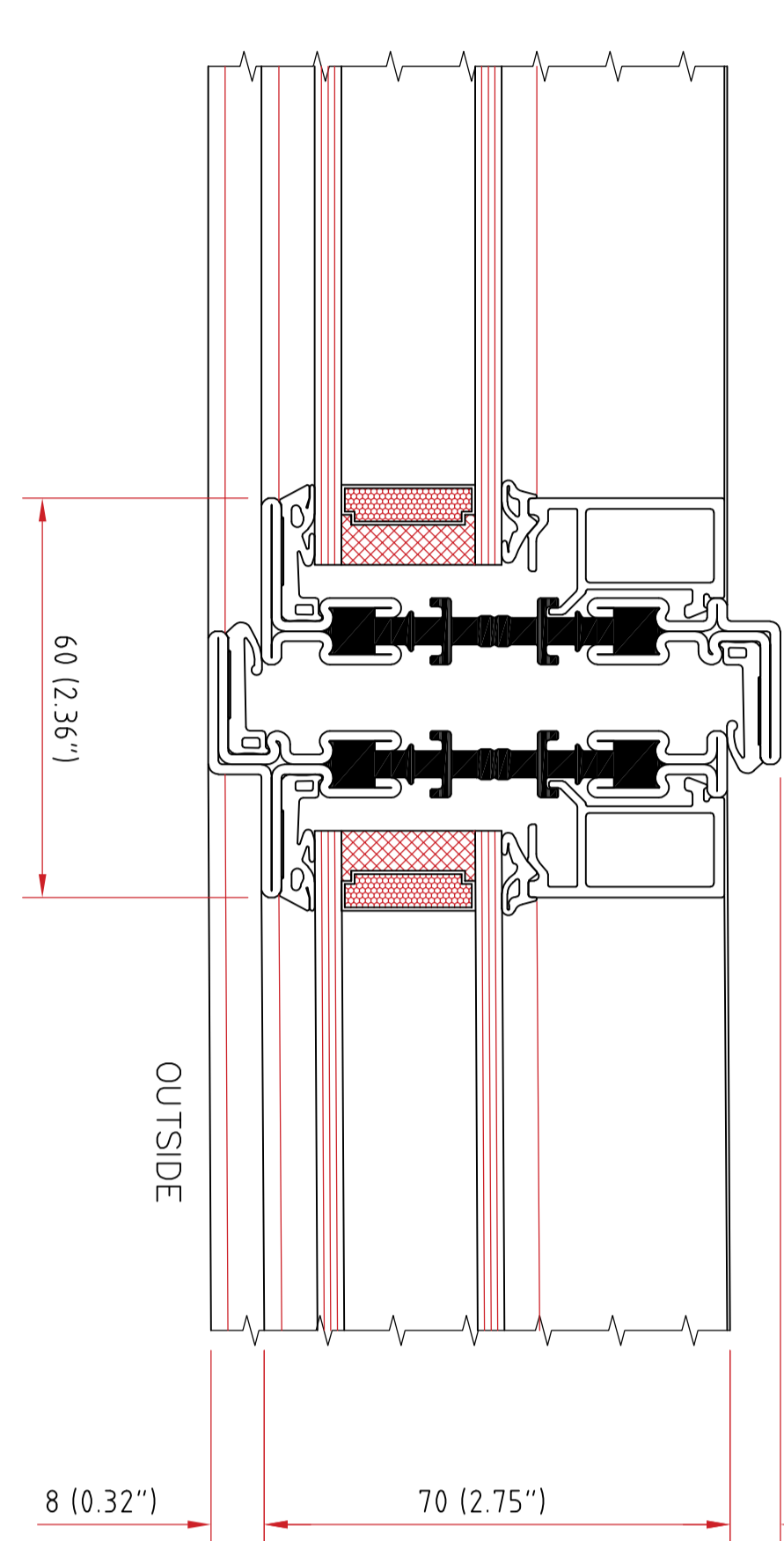


FIXED LIGHTS

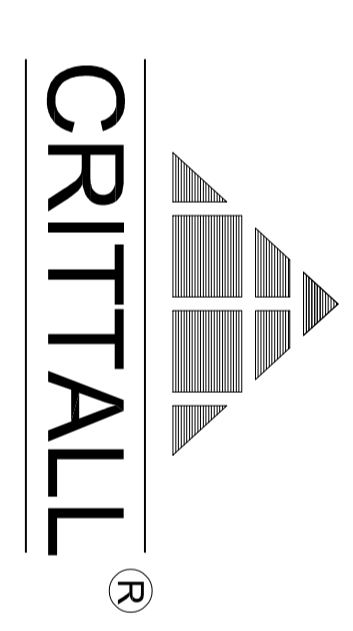
OPENING LIGHT  
OPEN OUT

OPENING LIGHT  
OPEN IN

TYPICAL MEETING RAIL DETAIL  
(FRENCH CASEMENT)



JAMB DETAILS SIMILAR TO  
HEAD AND SILL



T60 WINDOWS  
GENERAL ARRANGEMENT  
CRITTALL® IS A REGISTERED TRADE MARK OF CRITTALL WINDOWS LIMITED

REF: T60 06/23  
SHEET 1 OF 1