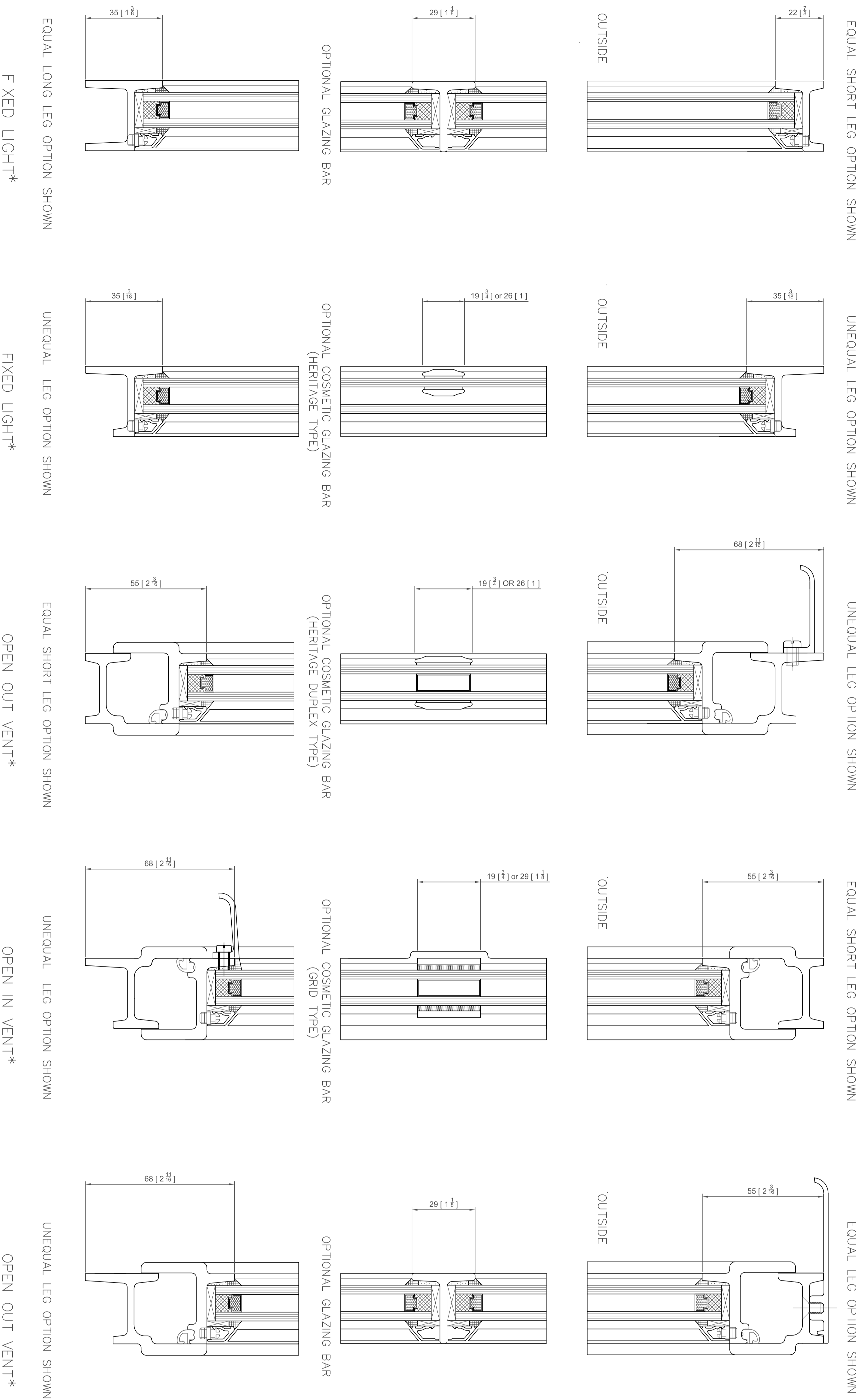
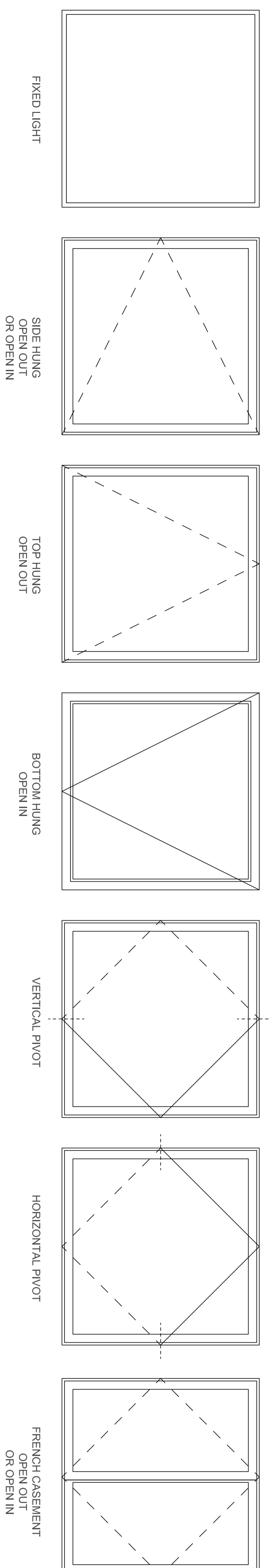
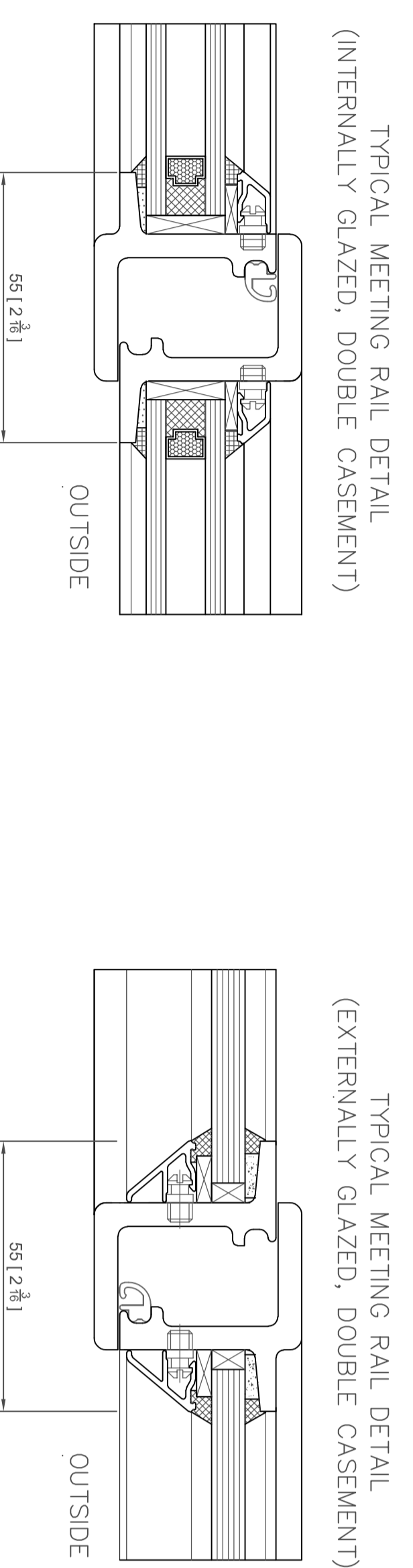


PRODUCT RANGE



JAMB DETAILS SIMILAR TO HEAD AND CILL

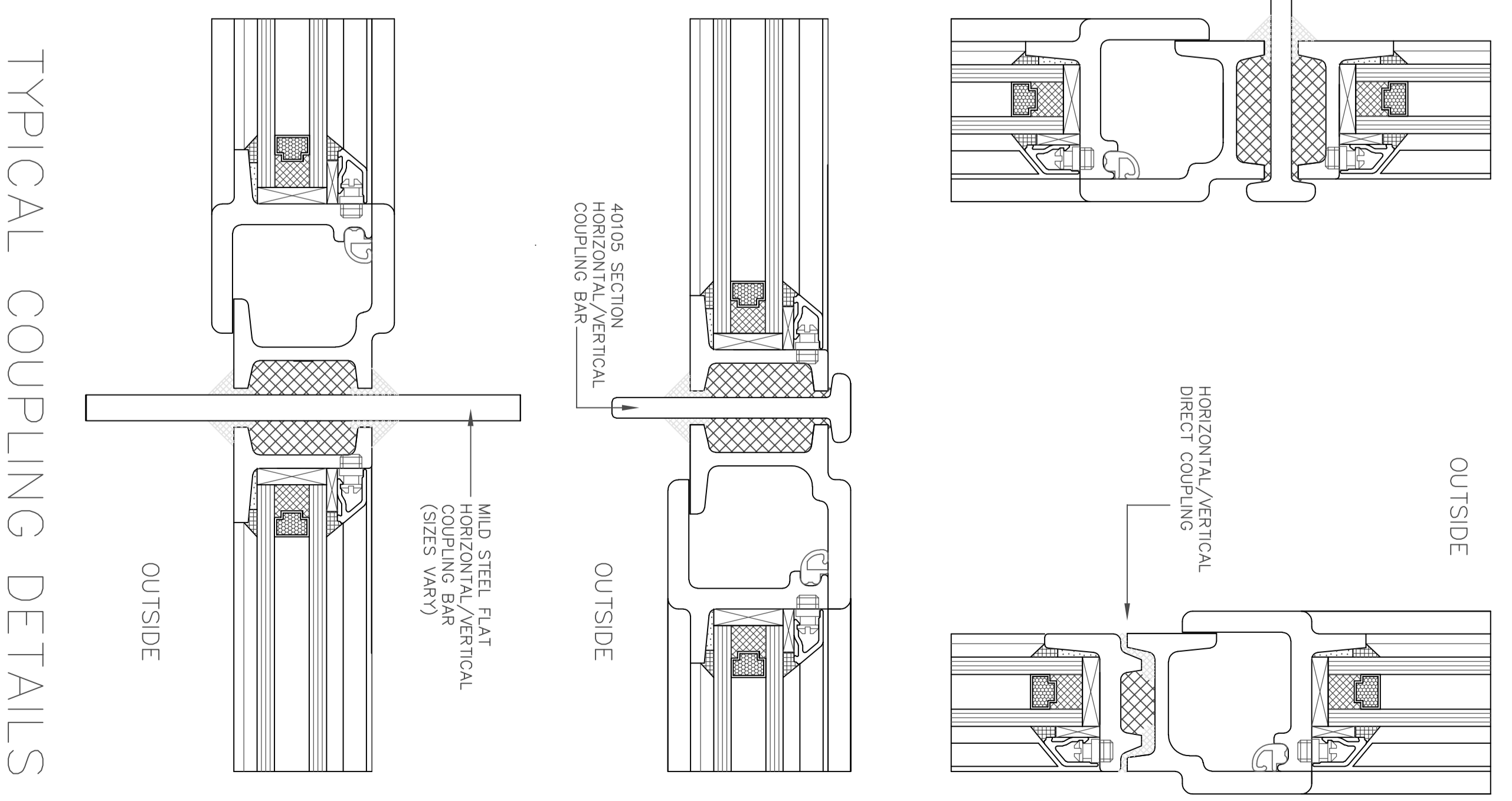


*NOTE: EXTERIOR GLAZED CONFIGURATION, WEATHERBAR DESIGN AND PROFILE OPTIONS ARE AVAILABLE. CONTACT CRITTALL FOR DETAILS

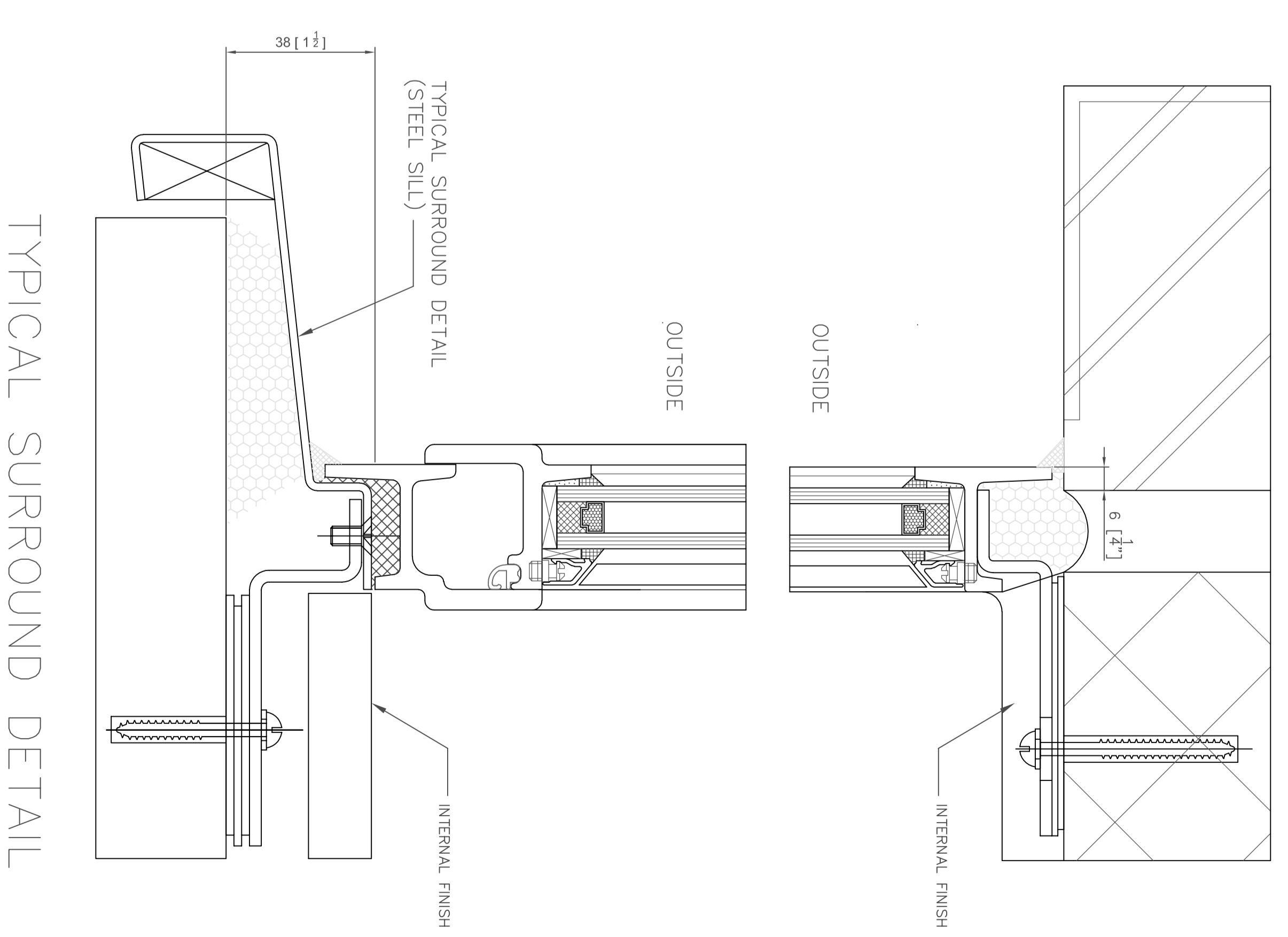
GLASS THICKNESS
UP TO 6.8mm (1/4")

GLASS THICKNESS
FROM 7.0mm (9/32")
UP TO 16.4mm (5/8")

GLAZING OPTIONS



TYPICAL COUPLING DETAILS



TYPICAL SURROUND DETAIL



CRITTALL® IS A REGISTERED TRADE MARK OF CRITTALL WINDOWS LIMITED
CORPORATE™ W20 WINDOW FRAME PROFILES

REF W20 01/21