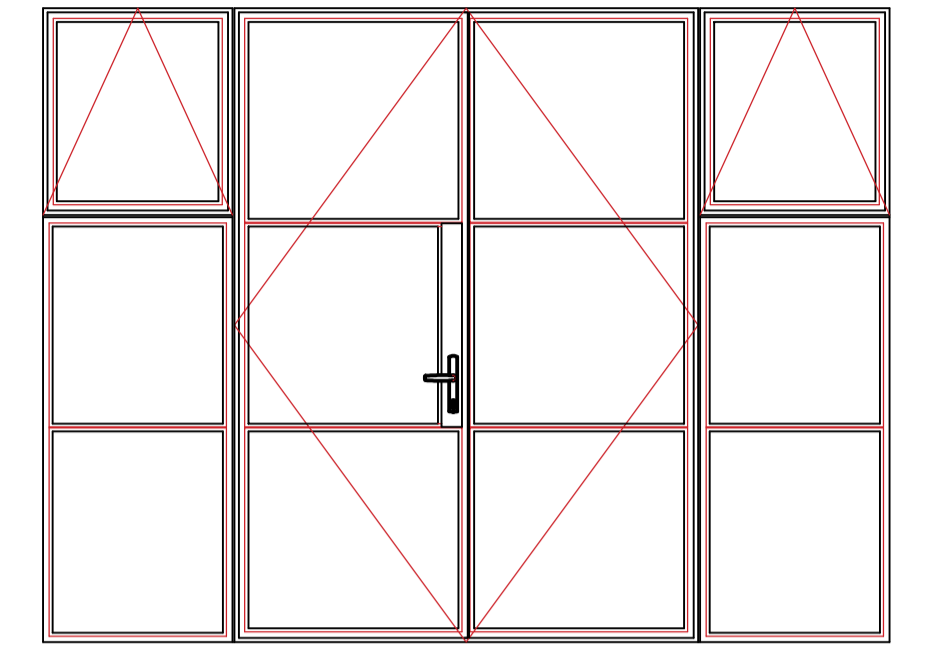
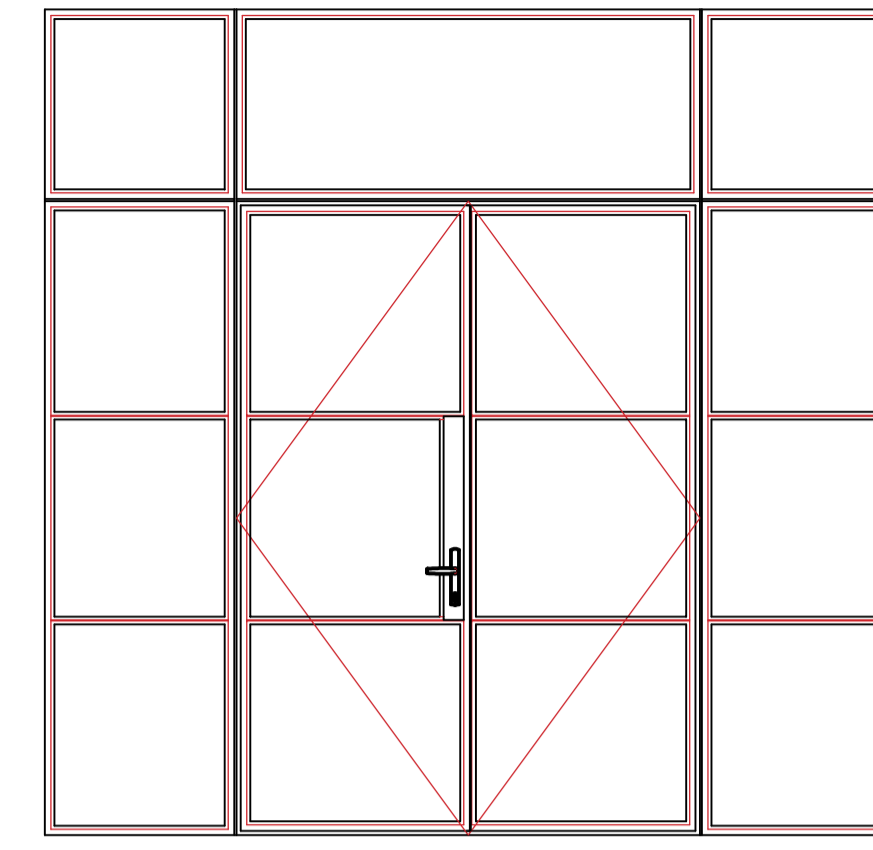
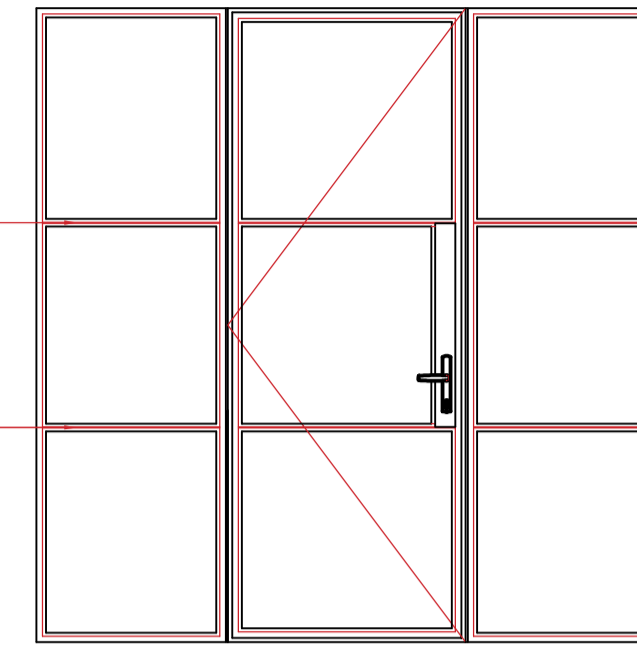
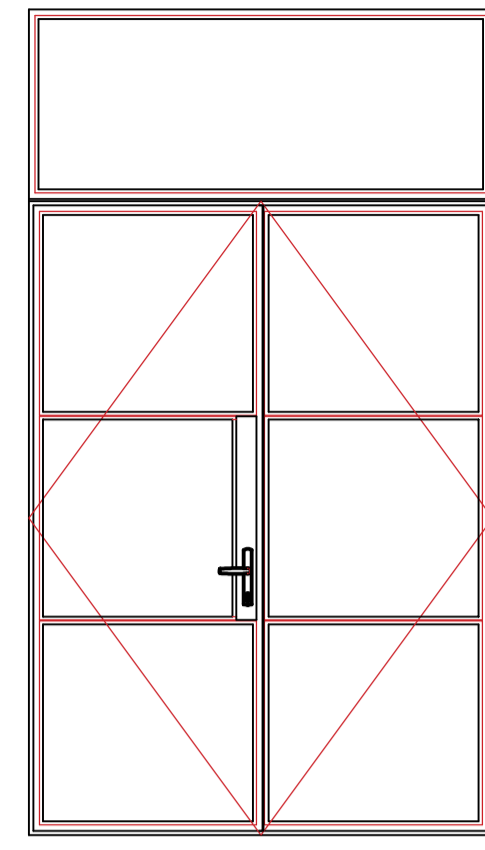
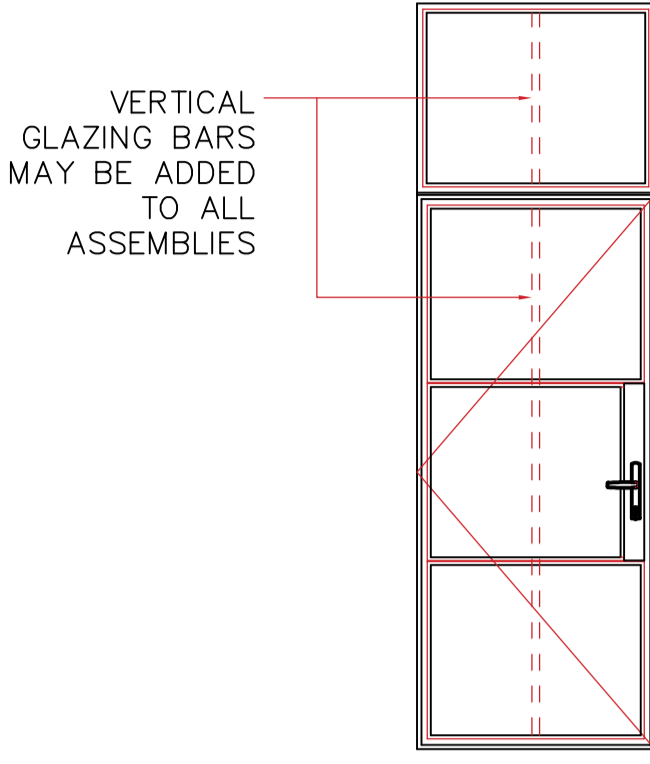
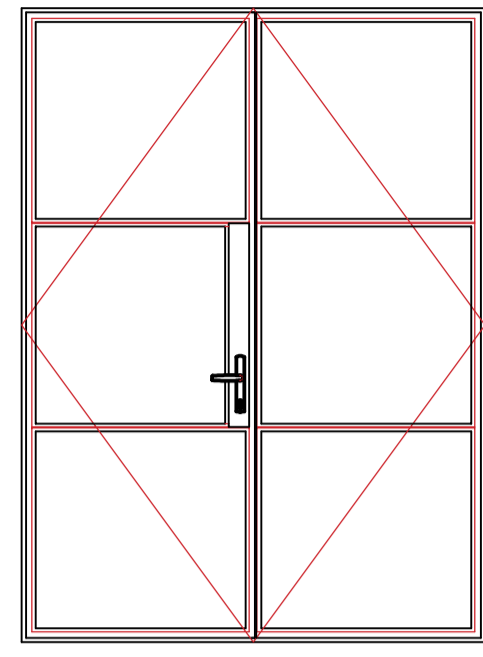
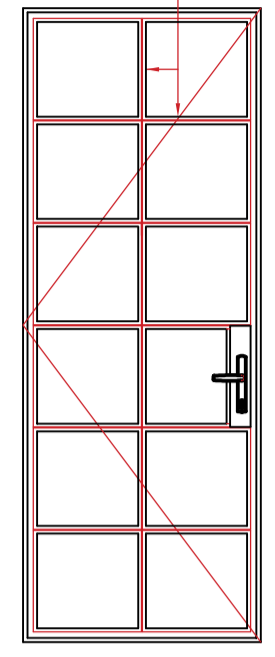


PRODUCT RANGE – SINGLE OR DOUBLE DOORS TESTED IN ACCORDANCE WITH PAS 24, PLUS OPTIONAL FIXED SIDE LIGHTS AND/OR TOP (FAN) LIGHTS. DOORS MAY BE COUPLED TO OTHER HOMELIGHT PLUS WINDOW TYPES TO FORM LARGE SCREENS OR WINDOW WALLS. DOORS SWING OUTWARDS ONLY AND ARE GLAZED FROM OUTSIDE

HORIZONTAL AND VERTICAL GLAZING BARS MAY BE ADDED TO ALL ASSEMBLIES

VERTICAL GLAZING BARS MAY BE ADDED TO ALL ASSEMBLIES

TYPICAL GLAZING BAR CONFIGURATION SHOWN. OTHER OPTIONS ARE POSSIBLE



TYPICAL SINGLE DOOR

TYPICAL DOUBLE DOOR

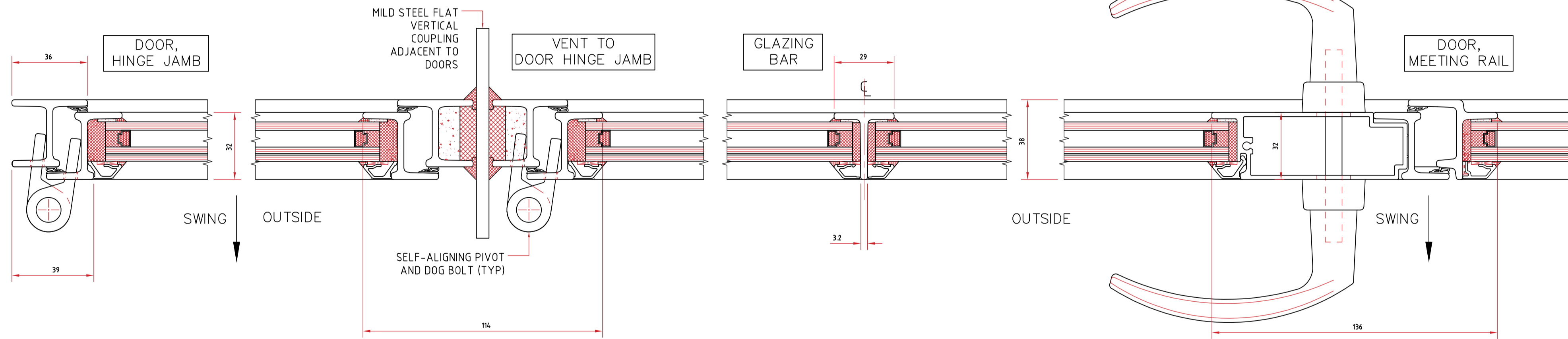
TYPICAL SINGLE DOOR WITH TOP-LIGHT

TYPICAL DOUBLE DOOR WITH TOP-LIGHT

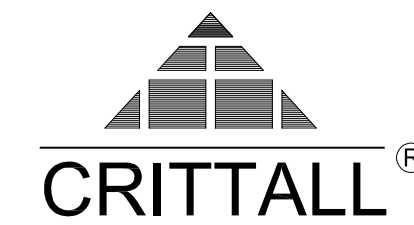
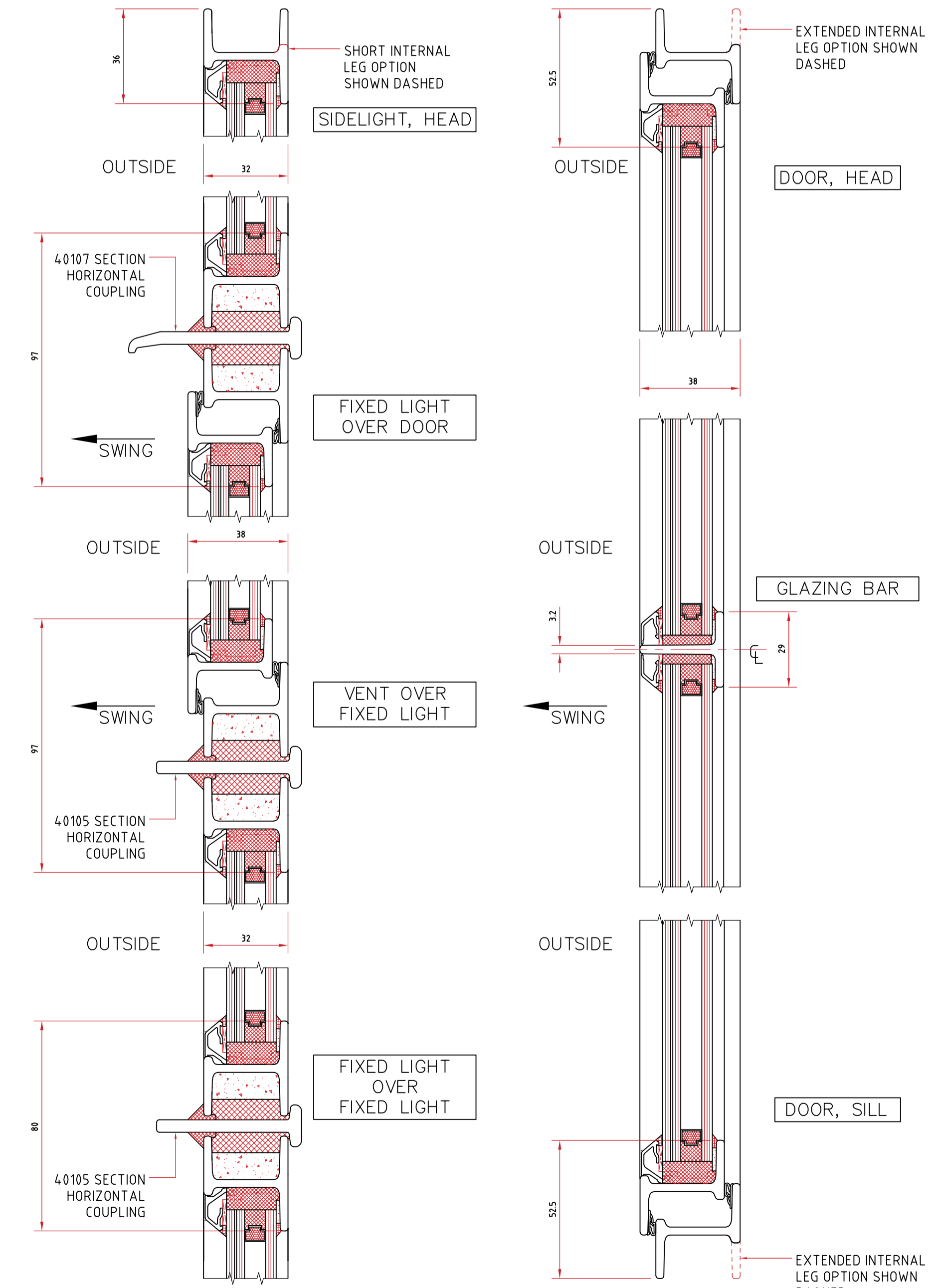
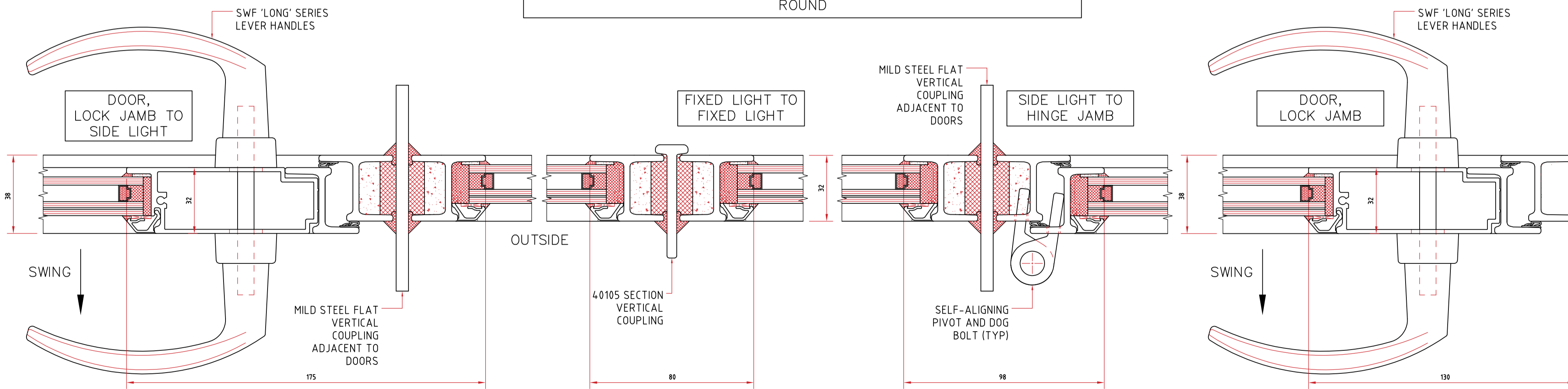
TYPICAL SINGLE DOOR WITH SIDE-LIGHTS

TYPICAL DOUBLE DOOR WITH TOP-LIGHT AND SIDE-LIGHTS

TYPICAL DOUBLE DOOR WITH SIDE-LIGHT AND VENTILATORS



ALL FRAMES TO BE FITTED WITH 18.8mm SEALED UNITS COMPRISING 6.8mm OUTER PANE, 8mm CAVITY AND 4mm INNER PANE. ALL SEALED UNITS ARE TO BE GLAZED WITH A SILICONE HEEL BEAD ALL ROUND



**HOMELIGHT PLUS PART Q DOORS
GENERAL ARRANGEMENT**

CRITTALL® IS A REGISTERED TRADE MARK OF CRITTALL WINDOWS LIMITED