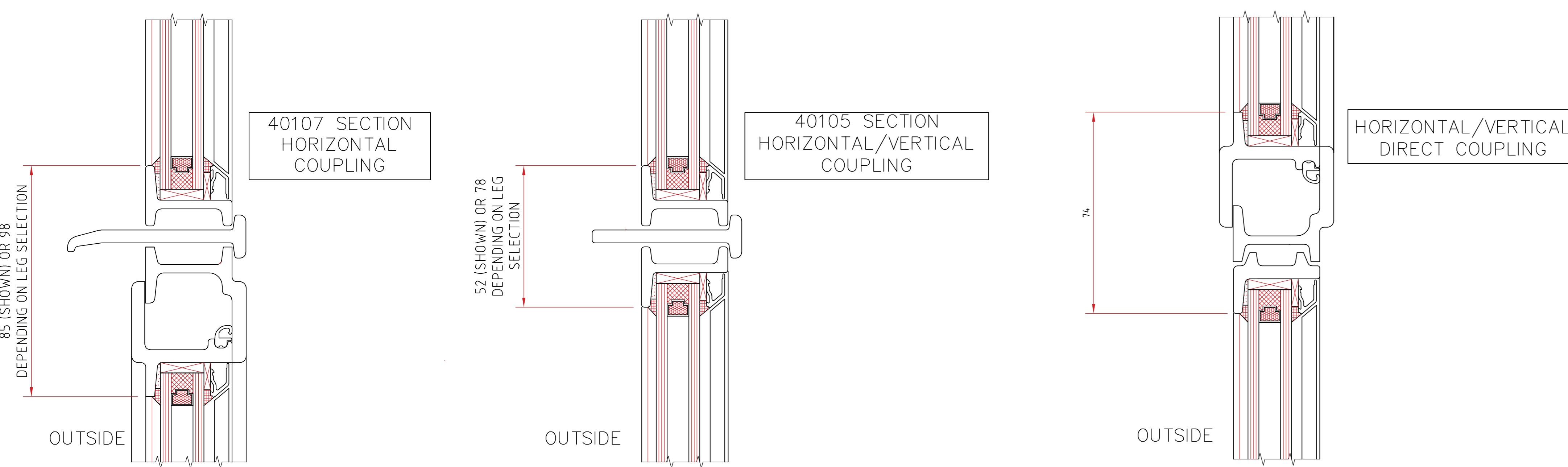
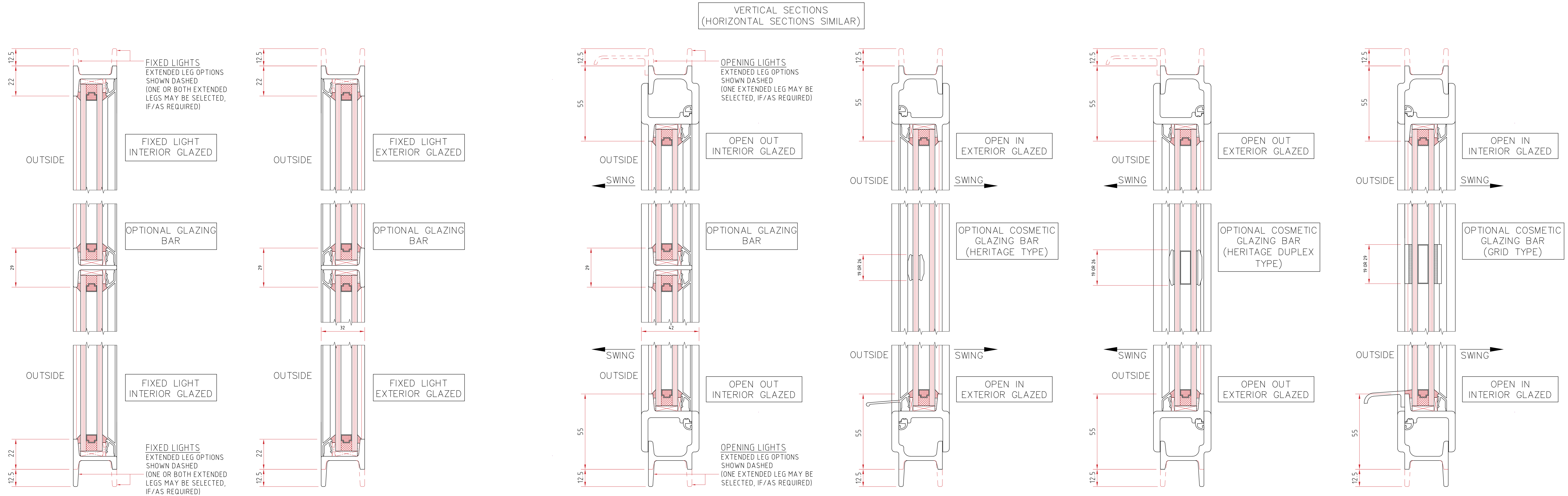
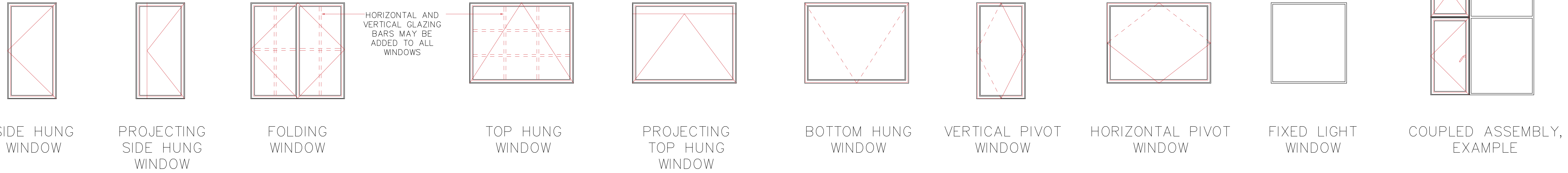
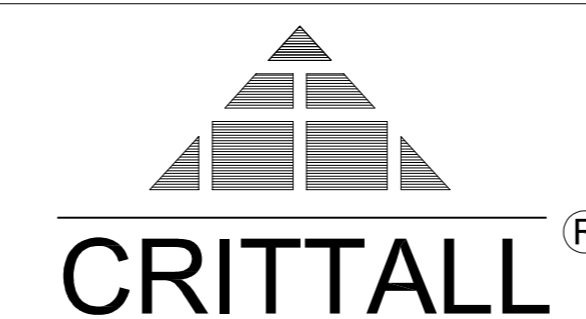
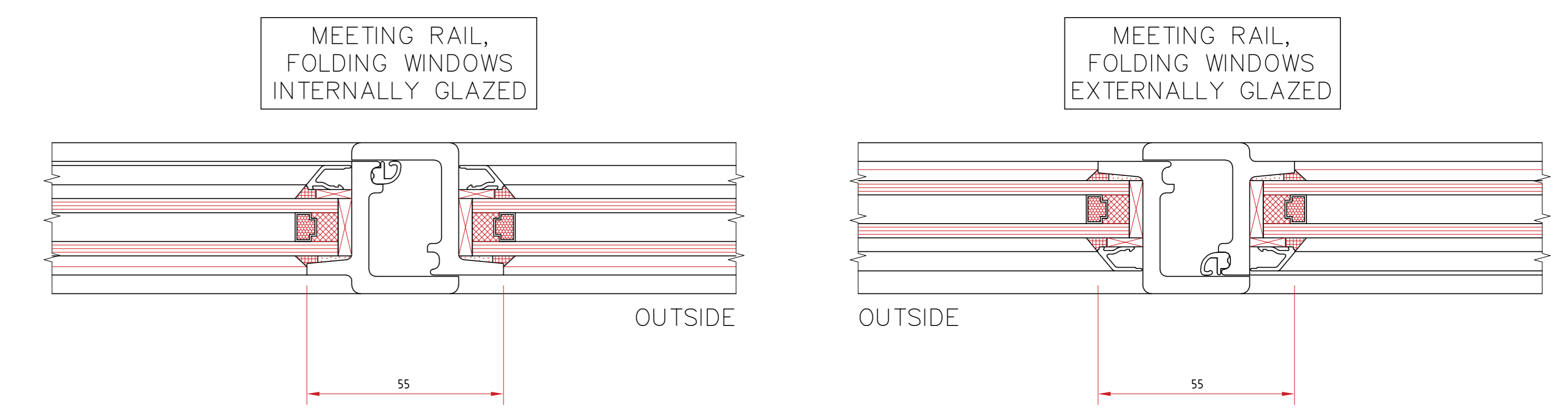


PRODUCT RANGE – SIDE HUNG, TOP HUNG, BOTTOM HUNG, PIVOT AND FIXED LIGHT WINDOWS. SEE SEPARATE DRAWING FOR A MATCHING RANGE OF DOORS.
 WINDOWS AND DOORS MAY BE COUPLED TO FORM LARGE SCREENS OR WINDOW WALLS.
 W20 FRAMES OPEN OUTWARD OR INWARD AND ARE GLAZED FROM THE OUTSIDE OR INSIDE. ALL MAY BE SUPPLIED WITH GLAZING BARS.



TYPICAL COUPLING DETAILS



CORPORATE™ W20 WINDOWS
GENERAL ARRANGEMENT

CRITTALL® IS A REGISTERED TRADE MARK OF CRITTALL WINDOWS LIMITED

REF: W20 09/24
 SHEET 1 OF 1